

CAN Repeater/Isolator

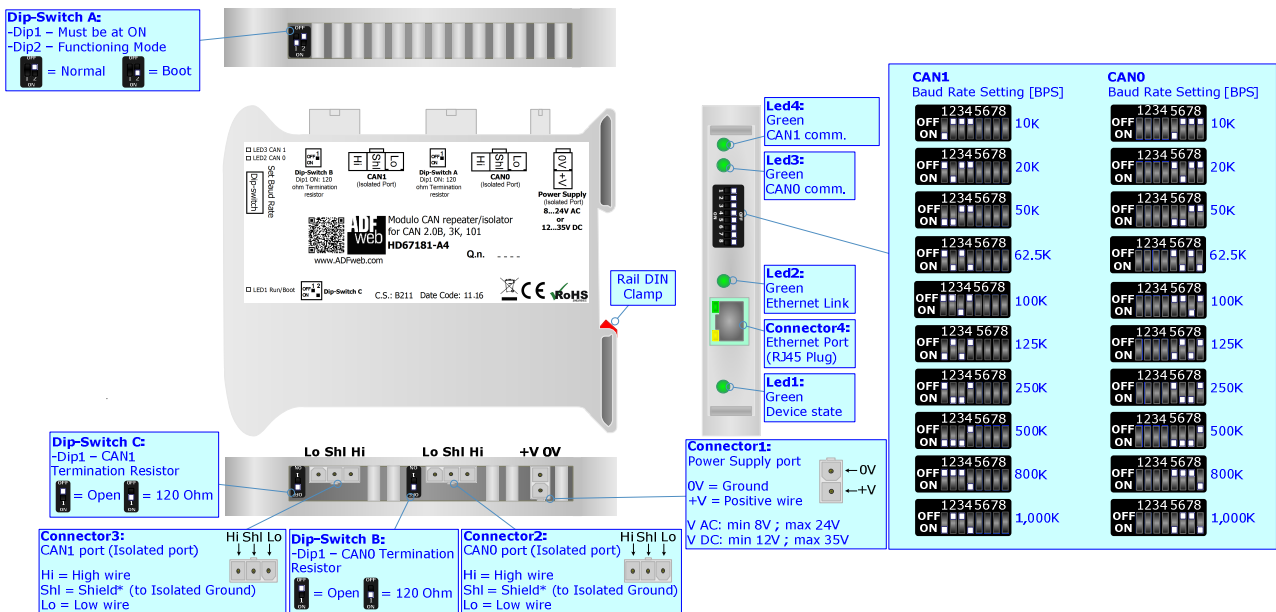
To obtain the complete manual please go to

www.adfweb.com/download/filefold/CAN_BUS_Repeater_MN67181_ENG.pdf

To obtain the new version of this box sheet please go to

www.adfweb.com/download/filefold/BS67181-A4_ENG.pdf

CONNECTION SCHEME:



SET BAUD RATE:

The switches for setting the CAN0 baud Rate and CAN1 on the front panel of the device.

Dip n° 1, 2, 3, 4 CAN1 setting

Dip n° 5, 6, 7, 8 CAN0 setting

Speed CAN1 BPS	Dip 1	Dip 2	Dip 3	Dip 4
Speed CAN0 BPS	Dip 5	Dip 6	Dip 7	Dip 8
10K	ON	OFF	OFF	OFF
20K	OFF	ON	OFF	OFF
50K	ON	ON	OFF	OFF
62.5K	OFF	ON	OFF	ON
100K	OFF	OFF	ON	OFF
125K	ON	OFF	ON	OFF
250K	OFF	ON	ON	OFF
500K	ON	ON	ON	OFF
800K	OFF	OFF	OFF	ON
1000K	ON	OFF	OFF	ON

ADFweb.com s.r.l.
www.adfweb.com
support@adfweb.com

Manual



Box-Sheet

