

Gateway – NMEA2000 from/to Modbus Slave

To obtain the complete manual please go to

www.adfweb.com/download

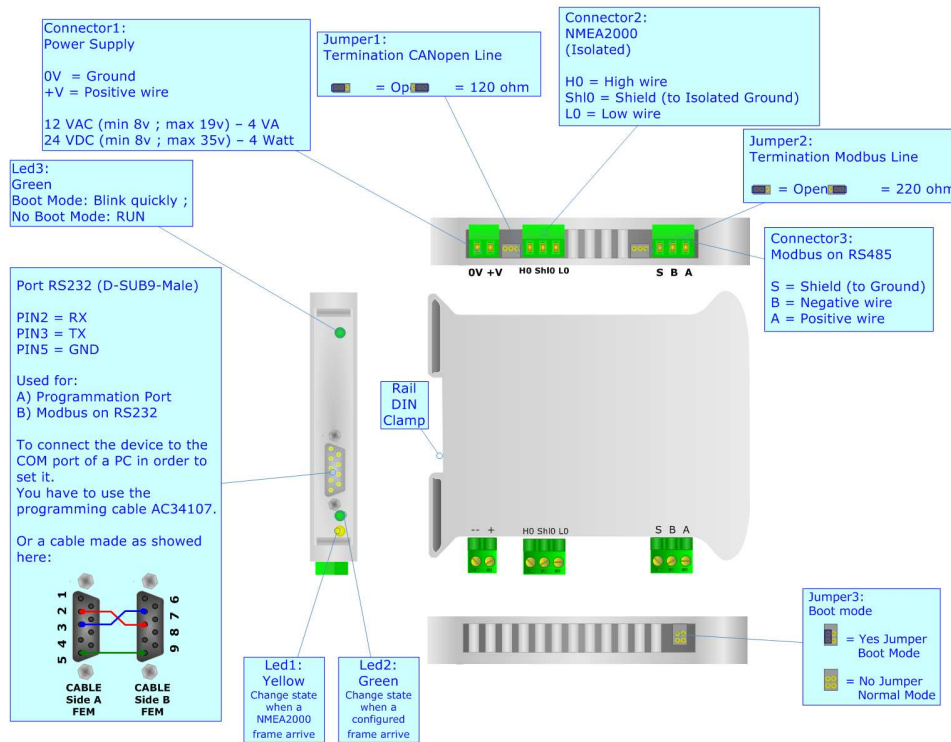
or

www.adfweb.com/download/filefold/NMEA2000_Modbus_RTU_MN67222_ENG.pdf

To obtain the new version of this box sheet please go to

http://www.adfweb.com/download/filefold/BS67222A1_ENG.pdf

CONNECTION SCHEME:



THE CONFIGURATION SOFTWARE:

For setting up the device you need the software named SW67222. To obtain this software please go to

<http://www.adfweb.com/download>

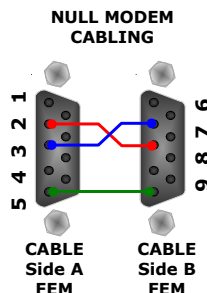
or

<http://www.adfweb.com/download/filefold/SW67222.zip>

CHARACTERISTICS OF THE CABLES:

The connection from RS232 socket to a serial port must be made with a NULL MODEM cable (a serial cable where the pins 2 and 3 are crossed).

It is recommended that the RS232C Cable not exceed 15 meters.



ADFweb.com s.r.l.
 www.adfweb.com
 info@adfweb.com
 support@adfweb.com