

PROFIBUS Master / DeviceNet Slave - Converter

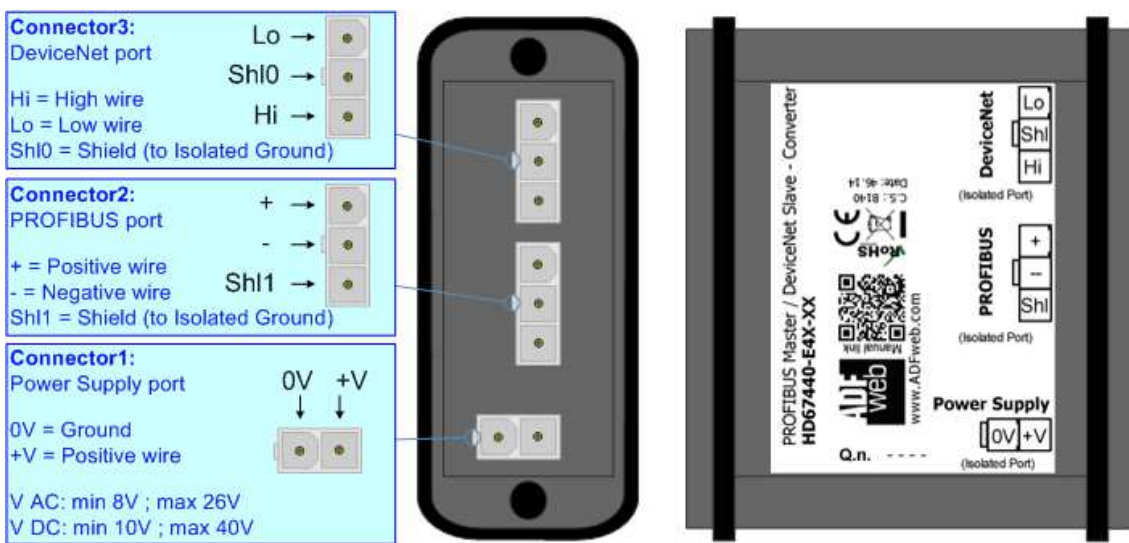
To obtain the complete manual please go to

www.adfweb.com/download/filefold/MN67440_ENG.pdf

To obtain the new version of this box sheet please go to

www.adfweb.com/download/filefold/BS67440-E4x_ENG.pdf

CONNECTION SCHEME:



CONFIGURATION SOFTWARE:

For setting up the device you need the software named SW67440.

To obtain this software please go to

www.adfweb.com/download/filefold/SW67440.zip

ADFweb.com s.r.l.
 www.adfweb.com
 info@adfweb.com
 support@adfweb.com

Manual



Box-Sheet



Software

