

DeviceNet Slave / PROFIBUS Master - Converter

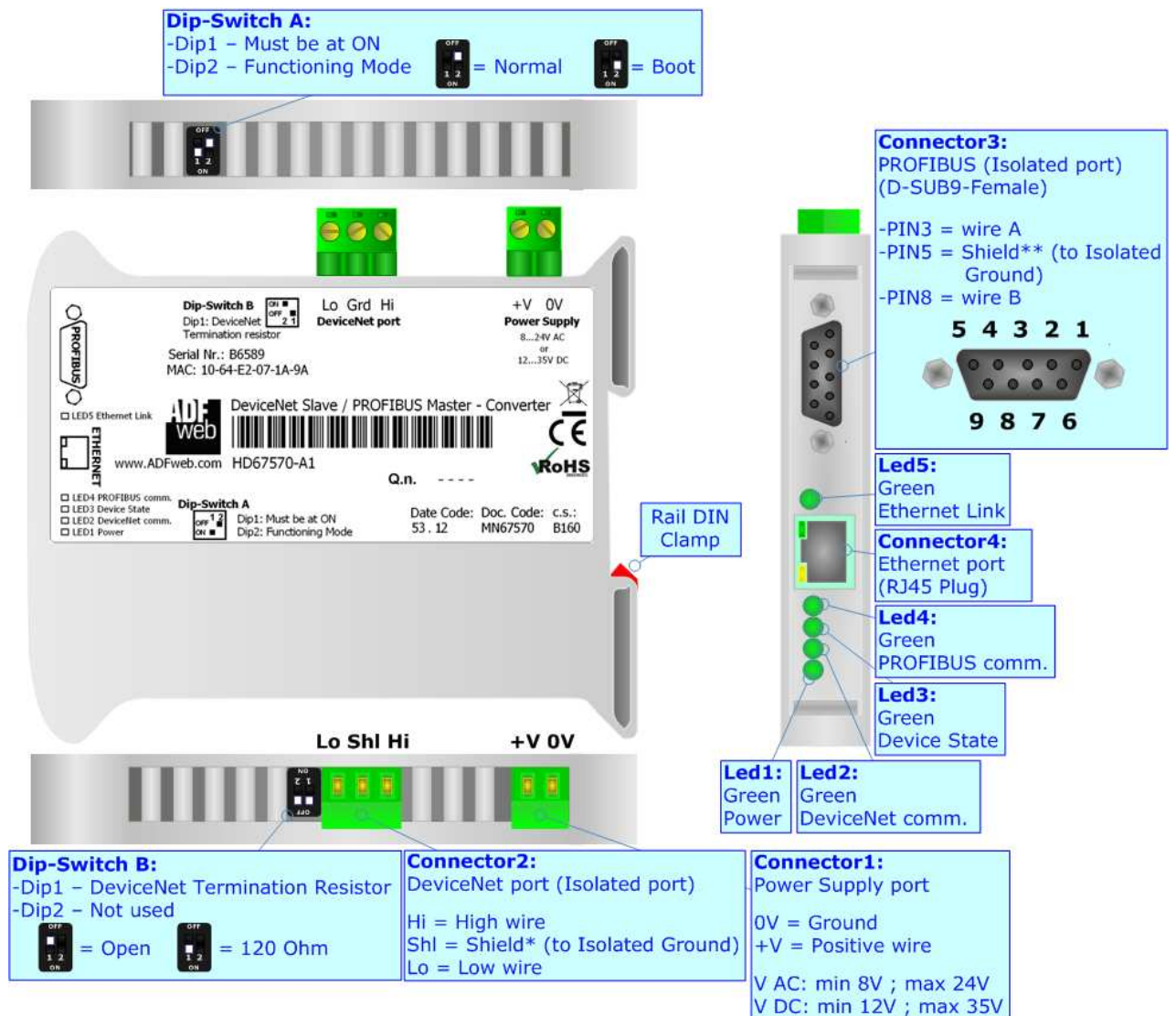
To obtain the complete manual please go to

www.adfweb.com/download/filefold/MN67570_ENG.pdf

To obtain the new version of this box sheet please go to

www.adfweb.com/download/filefold/BS67570-A1_ENG.pdf

CONNECION SCHEME:



CONFIGURATION SOFTWARE:

For setting up the device you need the software named SW67570. To obtain software please go to

www.adfweb.com/download/filefold/SW67570.zip