

## BACnet MS/TP slave / Modbus master - Converter

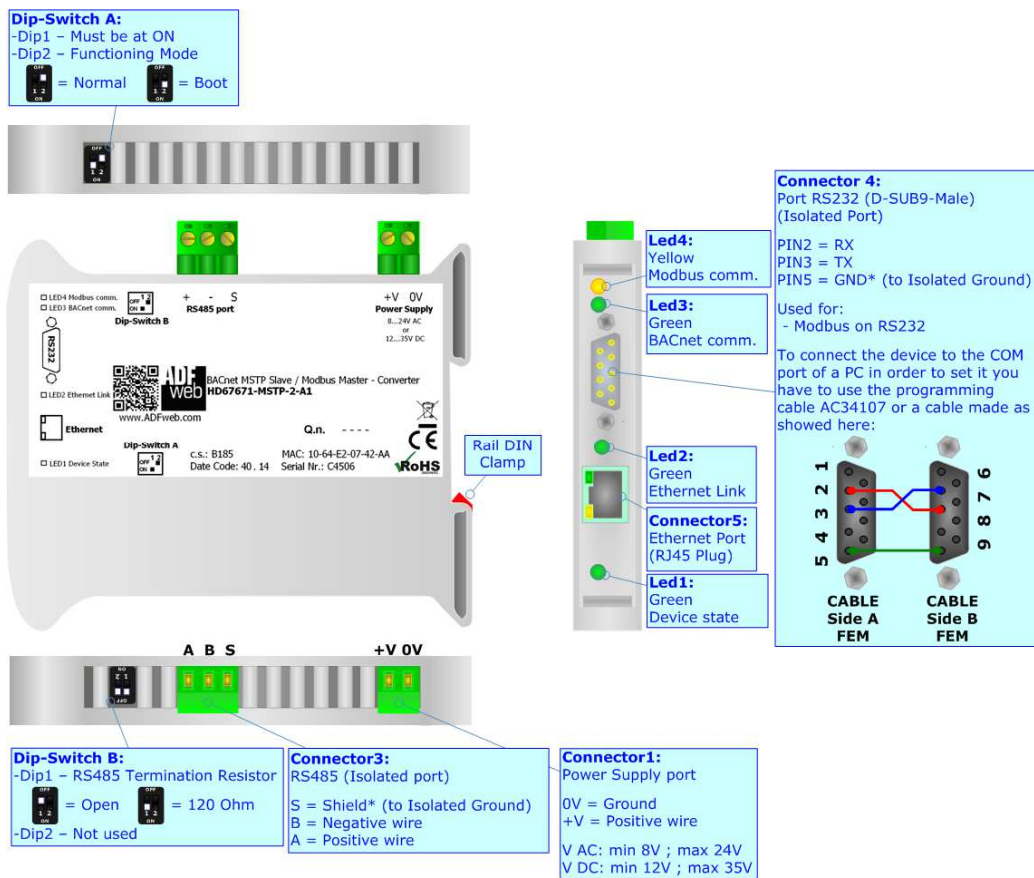
To obtain the complete manual please go to:

[www.adfweb.com/download/filefold/MN67671\\_ENG.pdf](http://www.adfweb.com/download/filefold/MN67671_ENG.pdf)

To obtain the new version of this box sheet please go to:

[www.adfweb.com/download/filefold/BS67671-MSTP-2-A1\\_ENG.pdf](http://www.adfweb.com/download/filefold/BS67671-MSTP-2-A1_ENG.pdf)

### CONNECTION SCHEME:



### CONFIGURATION SOFTWARE:

For setting up the device you need the software named SW67671. To obtain this software please go to:

[www.adfweb.com/download/filefold/SW67671.zip](http://www.adfweb.com/download/filefold/SW67671.zip)

ADFweb.com s.r.l.  
 www.adfweb.com  
 support@adfweb.com

Manual



Box-Sheet



Software

