

## EXTERNAL LINKS

HD67E24-A1



QR of Manual

---

[www.adfweb.com/download/  
filefold/MN67E24\\_ENG.pdf](http://www.adfweb.com/download/filefold/MN67E24_ENG.pdf)



QR of Box-Sheet

---

[www.adfweb.com/download/  
filefold/BS67E24-A1\\_ENG.pdf](http://www.adfweb.com/download/filefold/BS67E24-A1_ENG.pdf)



QR of Software

---

[www.adfweb.com/download/  
filefold/SW67E24.zip](http://www.adfweb.com/download/filefold/SW67E24.zip)

**HD67E24-A1**

# BOX SHEET

## EtherCAT Slave / SNMP manager

Box Sheet for Order code: HD67E24-A1  
Document code: BS67E24-A1  
V1.000



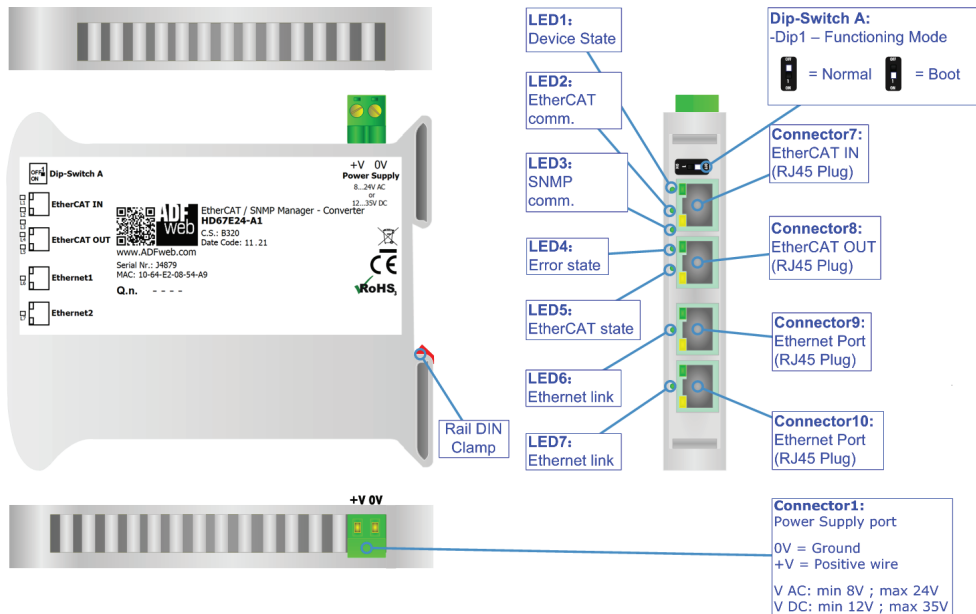
**ADFweb.com srl**

Strada Nuova, 17, IT-31010 Mareno di Piave, Treviso - Italy

[www.ADFweb.com](http://www.ADFweb.com)

# CONNECTION SCHEME

Order code: HD67E24-A1



Order code: HD67E24-A1