

# User Manual

Revision 2.002  
English

## RS232 / RS485 - Converter

(Order Code: HD67118)

for Website information:

[www.adfweb.com?Product=HD67118](http://www.adfweb.com?Product=HD67118)

for Price information:

[www.adfweb.com?Price=HD67118](http://www.adfweb.com?Price=HD67118)

### Benefits and Main Features:

- ▶ CS485Plus is a fast converter from serial RS232 to the serial line RS485 Half/Duplex.
- ▶ Suitable for supervision software SCADA/HMI and the connection to a Personal Computer.
- ▶ Microprocessor for queue data control.
- ▶ Electrical isolation.
- ▶ MAX baud rate 115K.
- ▶ External dip-switch for Baud Rate and Parity configuration

Suitable for  
Heavy  
supervisor



HD67118

Similar  
Products



For others Converter / Adapter:

#### **RS232 / RS485**

See also the following link:

[www.adfweb.com?Product=HD67119](http://www.adfweb.com?Product=HD67119)

#### **Ethernet / RS232 / RS485**

See also the following link:

[www.adfweb.com?Product=HD67120](http://www.adfweb.com?Product=HD67120)

Do you have an your customer protocol?

See the following link:

[www.adfweb.com?Product=HD67003](http://www.adfweb.com?Product=HD67003)

Do you need to choose a device? do you want help?

Ask it to the following link:

[www.adfweb.com?Cmd=helpme](http://www.adfweb.com?Cmd=helpme)

**INDEX:**

	Page
INDEX	2
UPDATED DOCUMENTATION	2
REVISION LIST	2
WARNING	2
TRADEMARKS	2
SECURITY ALERT	3
FUNCTION SCHEME	4
CONNECTION SCHEME	5
CHARACTERISTICS	6
POWER SUPPLY	6
SET COMMUNICATION PARAMETERS	7
SET SWITCHES BAUD RATE	8
SET SWITCHES PARITY	8
SET SWITCH BIT STOP	8
FUNCTION MODES	9
CHARACTERISTICS OF THE CABLES	9
MECHANICAL DIMENSIONS	10
ORDER CODE	10
ACCESSORIES	10
DISCLAIMER	11
OTHER REGULATIONS AND STANDARDS	11
WARRANTIES AND TECHNICAL SUPPORT	12
RETURN POLICY	12
PRODUCTS AND RELATED DOCUMENTS	12

**UPDATED DOCUMENTATION:**

Dear customer, we thank you for your attention and we remind you that you need to check that the following document is:

- Updated
- Related to the product you own

To obtain the most recently updated document, note the "document code" that appears at the top right-hand corner of each page of this document.

With this "Document Code" go to web page [www.adfweb.com/download/](http://www.adfweb.com/download/) and search for the corresponding code on the page. Click on the proper "Document Code" and download the updates.

To obtain the updated documentation for the product that you own, note the "Document Code" (Abbreviated written "Doc. Code" on the label on the product) and download the updated from our web site [www.adfweb.com/download/](http://www.adfweb.com/download/)

**REVISION LIST:**

Revision	Date	Author	Chapter	Description
1.005	19/06/2005	Ddt	All	Documentation code changed
1.006	22/06/2007	Av	All	Revision
1.007	26/06/2007	Av	All	Revision
2.000	08/10/2007	Av	All	New document format
2.001	25/05/2010	MI Dp	All	Revision
2.002	15/02/2013	Nt	All	Added new chapters

**WARNING:**

ADFweb.com reserves the right to change information in this manual about our product without warning.

ADFweb.com is not responsible for any error this manual may contain.

**TRADEMARKS:**

All trademarks mentioned in this document belong to their respective owners.

**SECURITY ALERT:****GENERAL INFORMATION**

To ensure safe operation, the device must be operated according to the instructions in the manual. When using the device are required for each individual application, legal and safety regulation. The same applies also when using accessories.

**INTENDED USE**

Machines and systems must be designed so the faulty conditions do not lead to a dangerous situation for the operator (i.e. independent limit switches, mechanical interlocks, etc.).


**QUALIFIED PERSONNEL**

The device can be used only by qualified personnel, strictly in accordance with the specifications.

Qualified personnel are persons who are familiar with the installation, assembly, commissioning and operation of this equipment and who have appropriate qualifications for their job.

**RESIDUAL RISKS**

The device is state of the art and is safe. The instrument can represent a potential hazard if they are inappropriately installed and operated by personnel untrained. These instructions refer to residual risks with the following symbol:

 This symbol indicates that non-observance of the safety instructions is danger for people to serious injury or death and / or the possibility of damage.

**CE CONFORMITY**

The declaration is made by us. You can send an email to [support@adfweb.com](mailto:support@adfweb.com) or give us a call if you need it.

**FUNCTION SCHEME:**

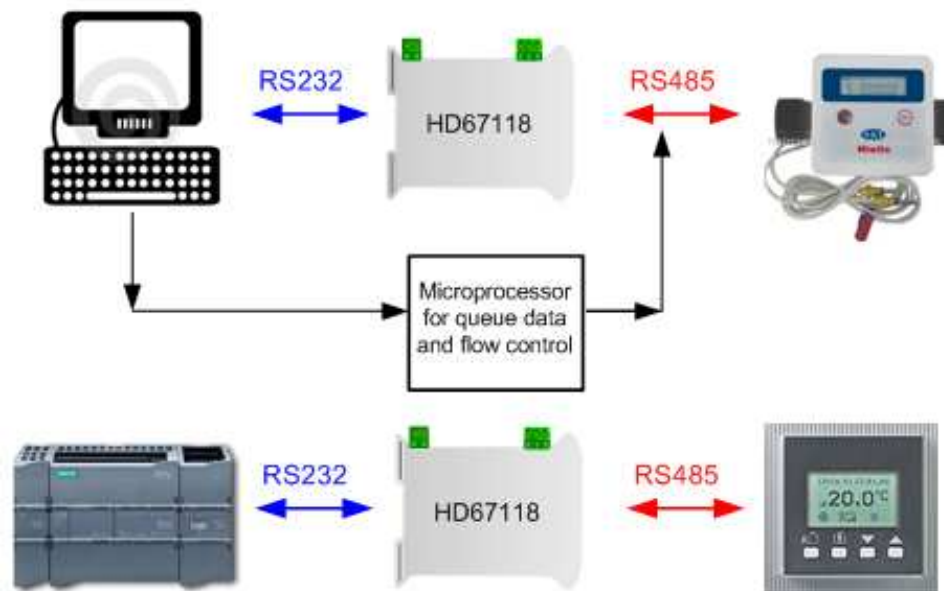


Figure 1: Function scheme for HD67118

**CONNECTION SCHEME:**

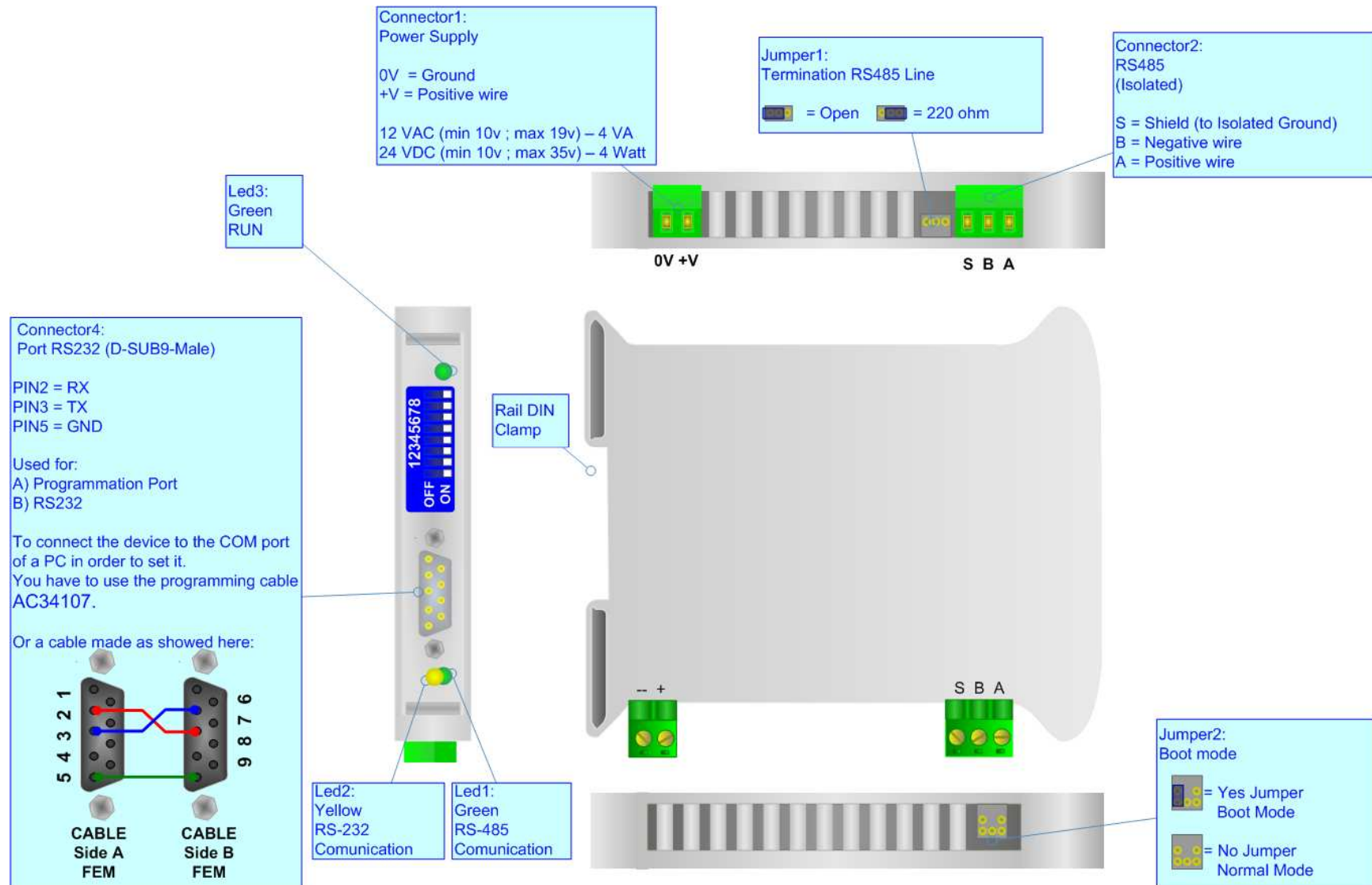


Figure 1: Connection scheme for HD67118

**CHARACTERISTICS:**

The CS485Plus is a speedy converter to the serial line 232/485 HALF DUPLEX, with automated control of the line directions. The control by microprocessor with 16 bits makes it particularly suitable for supervisor software and the connection to a Personal Computer:

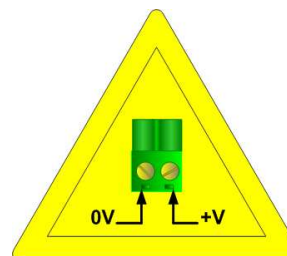
- Electrical isolation between RS232C and RS485;
- Baud Rate and Parity changeable switches accessible externally;
- Mountable on Rail DIN;
- MAX Baud Rate 115.200 bps;
- Temperature range -40°C to 85°C;
- EMS EN 61000-6-2.

**POWER SUPPLY:**

Recommended Power Supply	
VDC	VAC
24v	12v

VDC		VAC	
Vmin	Vmax	Vmin	Vmax
10v	35v	10v	19v

**Caution: Not reverse the polarity power.**



HD67118

**SET COMMUNICATION PARAMETERS:**

## Configurable Parameters:

- Baud Rate;
- Parity;
- Bit Stop.

## Fixed Parameters:

- 1 Bit Start;
- 8 Bit Data.

The switches for setting the "Baud Rate", the "Parity" and the "Bit Stop" are on the front panel of the device (switches numbers 1,2,3,4,5,6). The switches numbers "7" and "8" are not influential.

**SET SWITCHES BAUD RATE:**

Switches n° 1, 2, 3:

BAUD RATE (bps)	Dip 1	Dip 2	Dip 3
1200	OFF	OFF	OFF
2400	ON	OFF	OFF
4800	OFF	ON	OFF
9600	ON	ON	OFF
19200	OFF	OFF	ON
38400	ON	OFF	ON
57600	OFF	ON	ON
115200	ON	ON	ON

**SET SWITCHES PARITY:**

Switches n° 4, 5:

PARITY	Dip 4	Dip 5
NO PARITY	OFF	OFF
EVEN PARITY	ON	OFF
ODD PARITY	OFF	ON

**SET SWITCH BIT STOP:**

Switch n° 6:

BIT STOP	Dip 6
1	OFF
2	ON



**FUNCTION MODES:**

For the device HD67118, it is possible to update the microprocessor program. Therefore there are two functions to select from the boot jumper:

- NORMAL MODE (factory setting, without BOOT jumper): with this setting the HD67118 is able to function as a converter 232/485;
- BOOT MODE (with BOOT jumper): the boot mode is activated when the HD67118 is turned on. Eventual program updates are available on the site [www.adfweb.com](http://www.adfweb.com).

When the run LED blinks at frequency of about 1 second, the device functions well.

The RX232 and RX485 LEDs monitor the activity on the line (reception of 1 byte).

Note: if the RX232 and RX485 LEDs stay on permanently, it means that there is a problem in the transmission of the data.

**CHARACTERISTICS OF THE CABLES:**

The connection from RS232 socket to a serial port (example one from a personal computer) must be made with a NULL MODEM cable (a serial cable where the pins 2 and 3 are crossed). It is recommended that the RS232C Cable not exceed 15 meters.

The connection with the RS485 socket must be done with a twisted and shielded cable.

The terminal resistor must be inserted when the CS485Plus is at the end of the line, using the Terminator jumper.

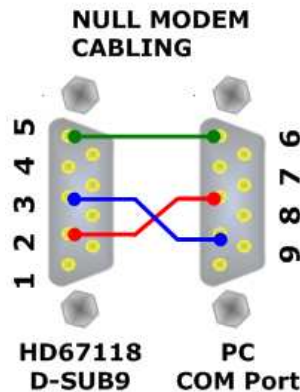
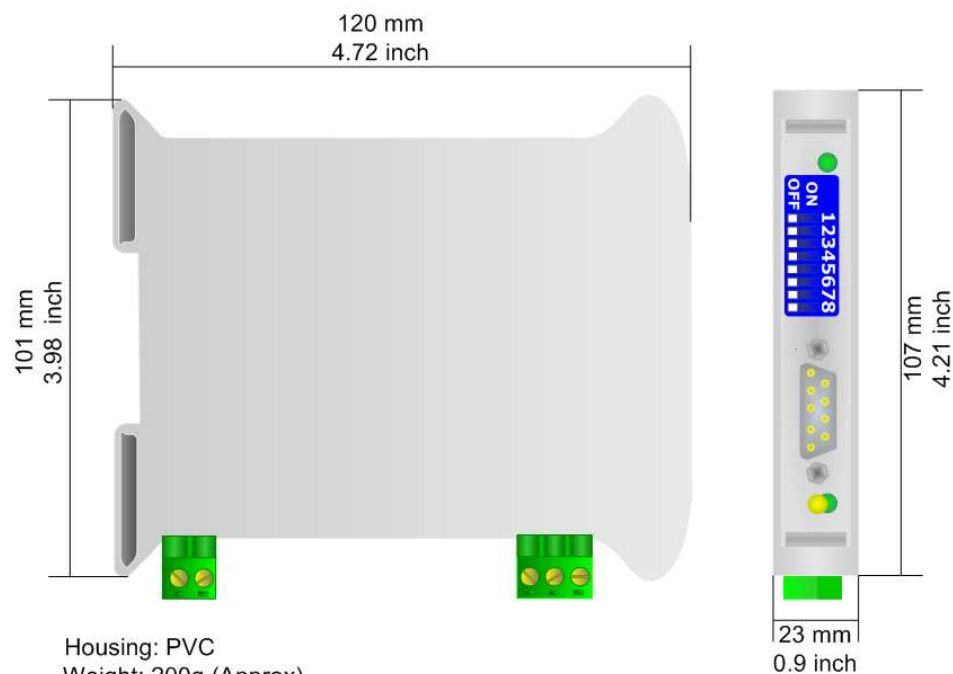


Figure 2: Null modem cabling

**MECHANICAL DIMENSIONS:**



Housing: PVC  
Weight: 200g (Approx)

*Figure 3: Mechanical dimensions scheme*

**ORDER CODE:**

Order Code: **HD67118** - RS232 / RS485 - Converter

**ACCESSORIES:**

Order Code: **AC34107** - Null Modem Cable Fem/Fem DSub 9 Pin 1,5 m

Order Code: **AC34114** - Null Modem Cable Fem/Fem DSub 9 Pin 5 m

Order Code: **AC34001** - Rail DIN - Power Supply 220/240V AC 50/60Hz – 12 V AC

Order Code: **AC34002** - Rail DIN - Power Supply 110V AC 50/60Hz – 12 V AC

## DISCLAIMER

All technical content within this document can be modified without notice. The content of the document content is a recurring audit. For losses due to fire, earthquake, third party access or other accidents, or intentional or accidental abuse, misuse, or use under abnormal conditions repairs are charged to the user. ADFweb.com S.r.l. will not be liable for accidental loss of use or inability to use this product, such as loss of business income. ADFweb.com S.r.l. shall not be liable for consequences of improper use.

## OTHER REGULATIONS AND STANDARDS

### WEEE INFORMATION



Disposal of old electrical and electronic equipment (as in the European Union and other European countries with separate collection systems).

■ This symbol on the product or on its packaging indicates that this product may not be treated as household rubbish. Instead, it should be taken to an applicable collection point for the recycling of electrical and electronic equipment. If the product is disposed correctly, you will help prevent potential negative environmental factors and human health, which could otherwise be caused by inappropriate disposal. The recycling of materials will help to conserve natural resources. For more information about recycling this product, please contact your local city office, your household waste disposal service or the shop where you purchased the product.

### RESTRICTION OF HAZARDOUS SUBSTANCES DIRECTIVE



The device respects the 2002/95/EC Directive on the restriction of the use of certain hazardous substances in electrical and electronic equipment (commonly referred to as Restriction of Hazardous Substances Directive or RoHS).

### CE MARKING



The product conforms with the essential requirements of the applicable EC directives.

**WARRANTIES AND TECHNICAL SUPPORT:**

For fast and easy technical support for your ADFweb.com SRL products, consult our internet support at [www.adfweb.com](http://www.adfweb.com). Otherwise contact us at the address support@adfweb.com

**RETURN POLICY:**

If while using your product you have any problem and you wish to exchange or repair it, please do the following:

- 1) Obtain a Product Return Number (PRN) from our internet support at [www.adfweb.com](http://www.adfweb.com). Together with the request, you need to provide detailed information about the problem.
- 2) Send the product to the address provided with the PRN, having prepaid the shipping costs (shipment costs billed to us will not be accepted).

If the product is within the warranty of twelve months, it will be repaired or exchanged and returned within three weeks. If the product is no longer under warranty, you will receive a repair estimate.

**PRODUCTS AND RELATED DOCUMENTS:**

Part	Description	URL
HD67120	Converter Ethernet to RS232/RS485	<a href="http://www.adfweb.com?product=HD67120">www.adfweb.com?product=HD67120</a>
HD67119	Converter USB 2.0 to RS485 Isolated	<a href="http://www.adfweb.com?product=HD67119">www.adfweb.com?product=HD67119</a>
HD67507	Gateway Modbus TCP Server to RTU Master	<a href="http://www.adfweb.com?product=HD67507">www.adfweb.com?product=HD67507</a>
HD67510	GatewayModbus TCP Client to RTU Slave	<a href="http://www.adfweb.com?product=HD67510">www.adfweb.com?product=HD67510</a>