

# User Manual

Revision 1.000  
English

## J1939 / MQTT – Converter

(Order Code: HD674-A044)

for Website information:

[www.adfweb.com?Product=HD674-A044](http://www.adfweb.com?Product=HD674-A044)

for Price information:

[www.adfweb.com?Price=HD674-A044](http://www.adfweb.com?Price=HD674-A044)

### Benefits and Main Features:

- ✦ Very easy to configure
- ✦ Isolation between two buses
- ✦ Temperature range: -40°C / +105°C (-40°F / +221°F)



User Manual

For other Gateways / Bridges:

### CAN from/to Modbus

See also the following links:

- [www.adfweb.com?product=HD67012](http://www.adfweb.com?product=HD67012) (Modbus RTU Slave)
- [www.adfweb.com?product=HD67514](http://www.adfweb.com?product=HD67514) (Modbus TCP Master)
- [www.adfweb.com?product=HD67515](http://www.adfweb.com?product=HD67515) (Modbus TCP Slave)

### CANopen from/to Modbus

See also the following links:

- [www.adfweb.com?product=HD67001](http://www.adfweb.com?product=HD67001) (Modbus RTU Master)
- [www.adfweb.com?product=HD67502](http://www.adfweb.com?product=HD67502) (Modbus RTU Slave)
- [www.adfweb.com?product=HD67504](http://www.adfweb.com?product=HD67504) (Modbus TCP Master)
- [www.adfweb.com?product=HD67505](http://www.adfweb.com?product=HD67505) (Modbus TCP Slave)

Do you have an your customer protocol?

See the following links:

[www.adfweb.com?Product=HD67003](http://www.adfweb.com?Product=HD67003)

Do you need to choose a device? do you want help?

Ask it to the following link:

[www.adfweb.com?Cmd=helpme](http://www.adfweb.com?Cmd=helpme)

**INDEX:**

	Page
INDEX	2
UPDATED DOCUMENTATION	2
REVISION LIST	2
WARNING	2
TRADEMARKS	2
SECURITY ALERT	3
EXAMPLE OF CONNECTION	4
CONNECTION SCHEME	5
CHARACTERISTICS	7
CONFIGURATION	7
POWER SUPPLY	8
LEDS	9
ETHERNET	10
USB	10
CAN	11
USE OF COMPOSITOR SW674-A044	12
NEW PROJECT / OPEN PROJECT	13
SOFTWARE OPTIONS	14
SET COMMUNICATION	16
MQTT SET TOPIC	21
RECEIVE FRAMES	23
SEND FRAMES	24
UPDATE DEVICE	25
TEMPLATE STRING: DEFINITION OF MQTT PAYLOAD	27
MECHANICAL DIMENSIONS	28
ORDER CODE	32
ACCESSORIES	32
DISCLAIMER	33
OTHER REGULATIONS AND STANDARDS	33
WARRANTIES AND TECHNICAL SUPPORT	34
RETURN POLICY	34

**UPDATED DOCUMENTATION:**

Dear customer, we thank you for your attention and we remind you that you need to check that the following document is:

- ✦ Updated
- ✦ Related to the product you own

To obtain the most recently updated document, note the “document code” that appears at the top right-hand corner of each page of this document.

With this “Document Code” go to web page [www.adfweb.com/download/](http://www.adfweb.com/download/) and search for the corresponding code on the page. Click on the proper “Document Code” and download the updates.

**REVISION LIST:**

Revision	Date	Author	Chapter	Description
1.000	04/09/2020	Ff	All	First release version

**WARNING:**

ADFweb.com reserves the right to change information in this manual about our product without warning.  
ADFweb.com is not responsible for any error this manual may contain.

**TRADEMARKS:**

All trademarks mentioned in this document belong to their respective owners.

**SECURITY ALERT:****GENERAL INFORMATION**

To ensure safe operation, the device must be operated according to the instructions in the manual. When using the device, legal and safety regulation are required for each individual application. The same applies also when using accessories.

**INTENDED USE**

Machines and systems must be designed so the faulty conditions do not lead to a dangerous situation for the operator (i.e. independent limit switches, mechanical interlocks, etc.).

**QUALIFIED PERSONNEL**

The device can be used only by qualified personnel, strictly in accordance with the specifications.

Qualified personnel are persons who are familiar with the installation, assembly, commissioning and operation of this equipment and who have appropriate qualifications for their job.

**RESIDUAL RISKS**

The device is state-of-the-art and is safe. The instruments can represent a potential hazard if they are inappropriately installed and operated by untrained personnel. These instructions refer to residual risks with the following symbol:



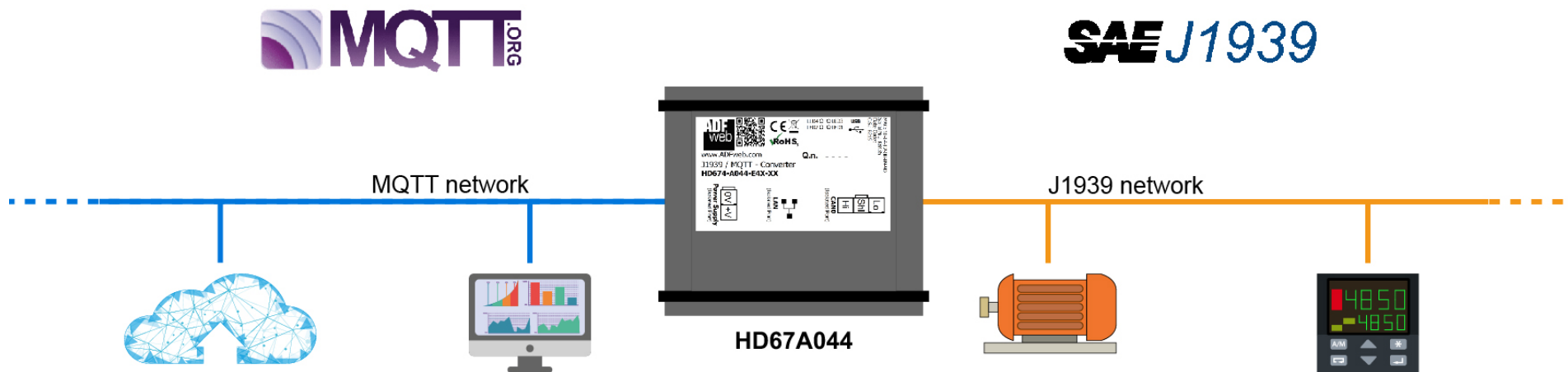
This symbol indicates that non-observance of the safety instructions is a danger for people that could lead to serious injury or death and / or the possibility of damage.

**CE CONFORMITY**

The declaration is made by our company. You can send an email to [support@adfweb.com](mailto:support@adfweb.com) or give us a call if you need it.

**EXAMPLE OF CONNECTION:**

**J1939 / MQTT - Converter**  
HD67A044



[ADFweb.com](http://ADFweb.com)



+39 0438 309 131



+39 349 440 9592



[support@adfweb.com](mailto:support@adfweb.com)

**CONNECTION SCHEME:**



Figure 1a: Connection scheme for HD674-A044-E4x-xx

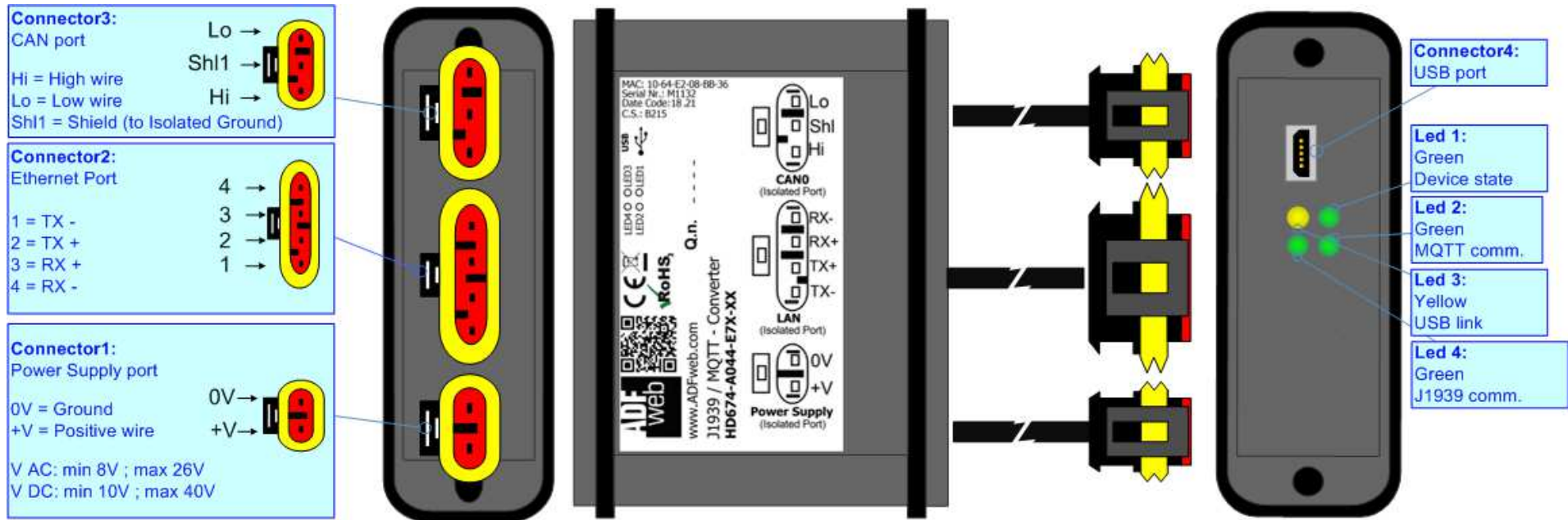


Figure 1b: Connection scheme for HD674-A044-E7x-xx

**CHARACTERISTICS:**

The “**HD674-A044**” series are rugged devices used to interface J1939 devices with a MQTT network.

With his particular enclosure, equipped with four fixing lugs, makes available the mounting of the device in any plane surface (horizontal, vertical, oblique).

It is possible to have the device varnished or totally resined and also in both cases with “Mini-Fit®” connectors or “AMP SuperSeal 1.5” connectors. If is resined, the enclosure, like the “AMP SuperSeal 1.5” connectors, is waterproof (IP63).

The device have these characteristics:

- Triple 4kV isolation between Power Supply / Ethernet / CAN;
- Varnished / Resined (optionally);
- Wide power supply input range: 8...26V AC | 10...40V DC;
- Mini-Fit® / AMP SuperSeal 1.5 connectors;
- Metal enclosure with fixing lugs;
- Possibility to use Metal hose clamps for fixing it without using lugs;
- Microprocessor for data control;
- Wide temperature range: -40°C / 105°C (-40°F / 221°F).

**CONFIGURATION:**

You need Compositor SW674-A044 software on your PC in order to perform the following:

- Define the parameter of the MQTT bus;
- Define the parameter of the J1939 bus;
- Define the MQTT topics to be published/subscribed in the MQTT Server;
- Define the list of J1939 messages in reception and in transmission;
- Update device.

**POWER SUPPLY:**

The devices can be powered between a wide range of tensions. For more details see the two tables below.

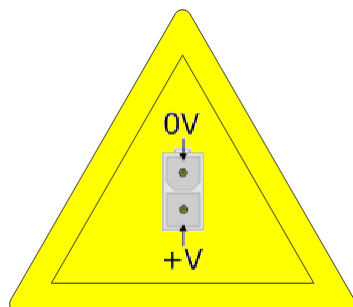
	VAC		VDC	
	Vmin	Vmax	Vmin	Vmax
<b>HD674-A044-Exx-xx</b>	<b>8V</b>	<b>26V</b>	<b>10V</b>	<b>40V</b>

Consumption at 24V DC:

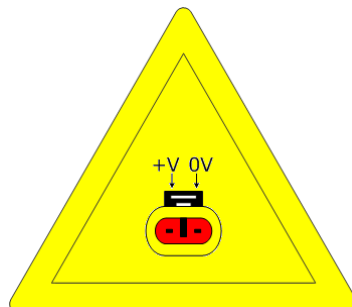
Device	W/VA
HD674-A044-Exx-xx	4



**Caution: Not reverse the polarity power**



HD674-A044-E4x-xx



HD674-A044-E7x-xx



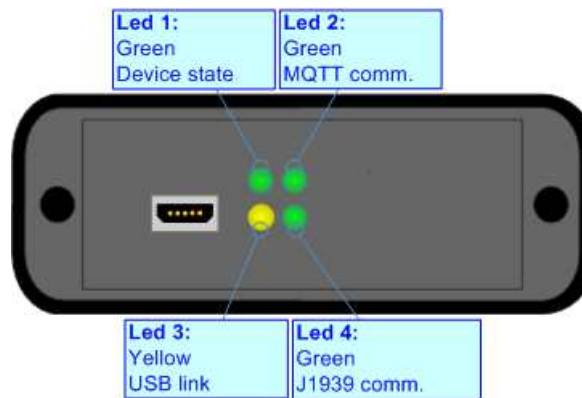
**Note:** It is possible to use also negative tensions. In this case the polarity must be inverted.



**LEDS:**

The device has got four LEDs that are used to give information of the functioning status. The various meanings of the LEDs are described in the table below.

LED	Normal Mode	Boot Mode
1: Device state (green)	Blinks slowly (~1Hz)	<b>Blinks quickly:</b> Boot state <b>Blinks very slowly (~0.5Hz):</b> update in progress
2: MQTT communication (green)	<b>ON:</b> MQTT not connected <b>OFF:</b> MQTT connected <b>Blinking:</b> MQTT communication	<b>Blinks quickly:</b> Boot state <b>Blinks very slowly (~0.5Hz):</b> update in progress
3: USB link (yellow)	OFF	ON
4: J1939 communication (green)	Blinks when J1939 frames are received	<b>Blinks quickly:</b> Boot state <b>Blinks very slowly (~0.5Hz):</b> update in progress

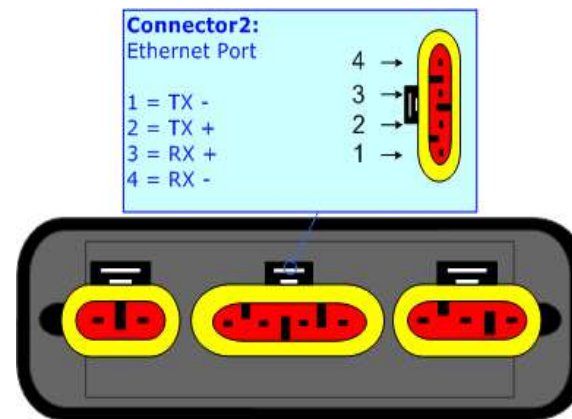


**ETHERNET:**

The connection of Ethernet in the HD674-A044 device must be made with at least a Category 5E cable. The maximum length of the cable should not exceed 100m. The cable has to conform to the T568 norms relative to connections in cat.5 up to 100 Mbps. To connect the device to an Hub/Switch is recommended the use of a straight cable, to connect the device to a PC/PLC/other is recommended the use of a cross cable.

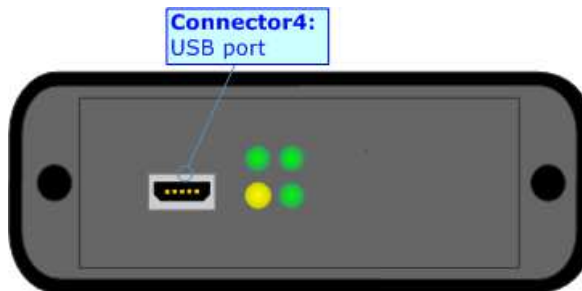
The connection of Ethernet in the HD674-A044 -E4x-xx device must be made with RJ45 connector.

The connection of the Ethernet in the HD674-A044-E7x-xx device must be made with a AMP SuperSeal 1.5 Male connector. The pinout of Female connector of the board is at right side of the page.



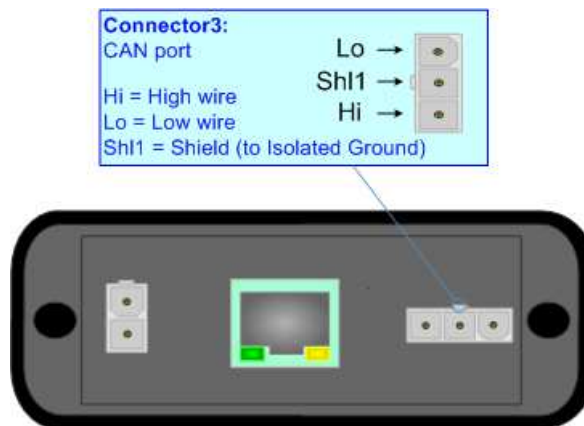
**USB:**

The USB port is used to start the converter in Boot Mode. It is necessary to use a Micro USB type B cable.



**CAN:**

For terminating the CAN line with a 120Ω resistor it is necessary that the Dip1 of 'Dip-Switch B' is at ON position.



Cable characteristics:

<b>DC parameter:</b>	Impedance	70 Ohm/m
<b>AC parameters:</b>	Impedance	120 Ohm/m
	Delay	5 ns/m
<b>Length</b>	<b>Baud Rate [bps]</b>	<b>Length MAX [m]</b>
	10 K	5000
	20 K	2500
	50 K	1000
	100 K	650
	125 K	500
	250 K	250
	500 K	100
	800 K	50
	1000 K	25

**USE OF COMPOSITOR SW674-A044:**

To configure the Converter, use the available software that runs with Windows called SW674-A044. It is downloadable on the site [www.adfweb.com](http://www.adfweb.com) and its operation is described in this document. *(This manual is referenced to the last version of the software present on our web site).* The software works with MSWindows (XP, Vista, Seven, 8, 10; 32/64bit).

When launching the SW674-A044, the window below appears (Fig. 2).



**Note:**

It is necessary to have installed .Net Framework 4.

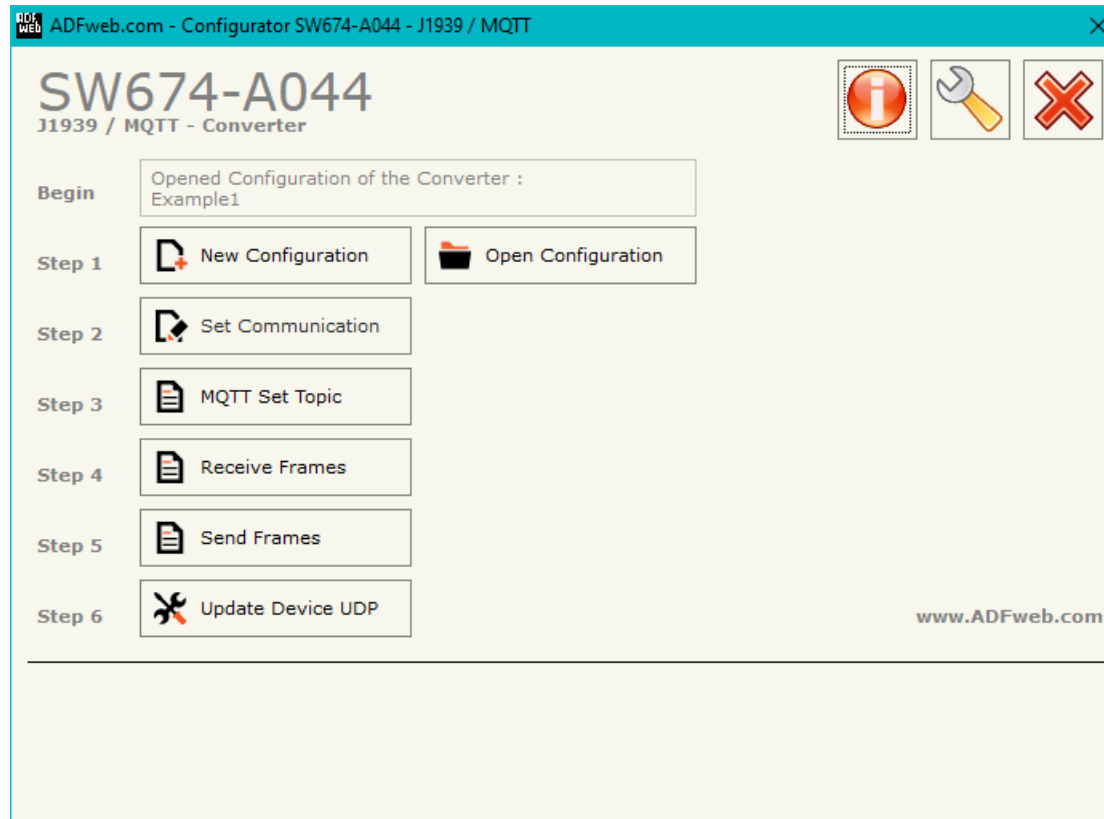
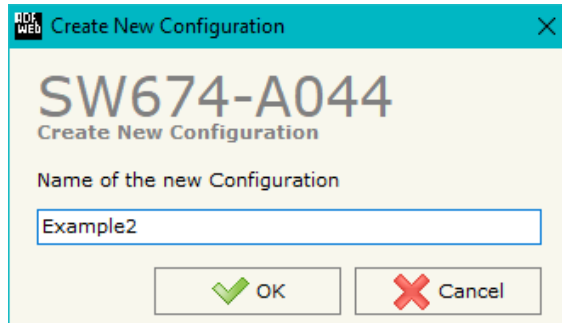


Figure 2: Main window for SW674-A044

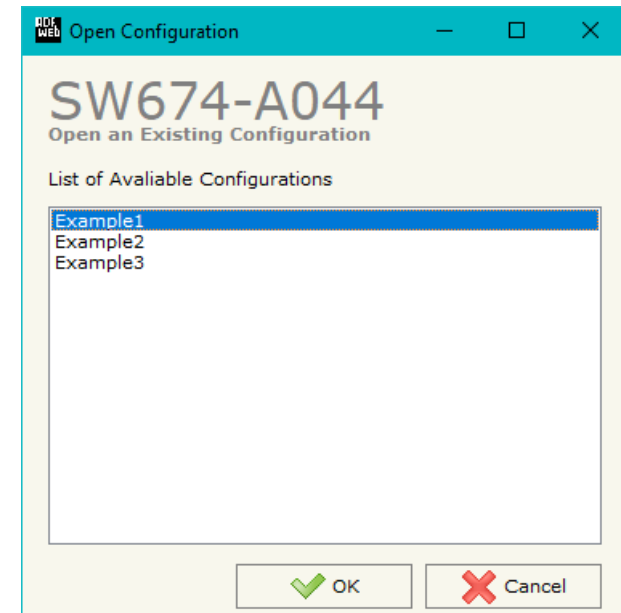
**NEW CONFIGURATION / OPEN CONFIGURATION:**

The “**New Configuration**” button creates the folder which contains the entire device’s configuration.




A device’s configuration can also be imported or exported:

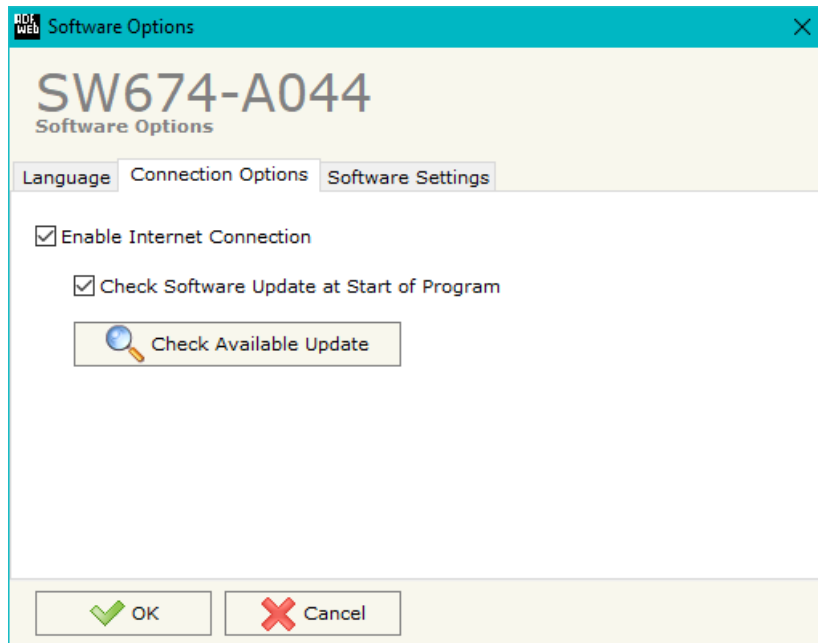
- To clone the configurations of a programmable “J1939 / MQTT - Converter” in order to configure another device in the same manner, it is necessary to maintain the folder and all its contents;
- To clone a project in order to obtain a different version of the project, it is sufficient to duplicate the project folder with another name and open the new folder with the button “**Open Configuration**”.



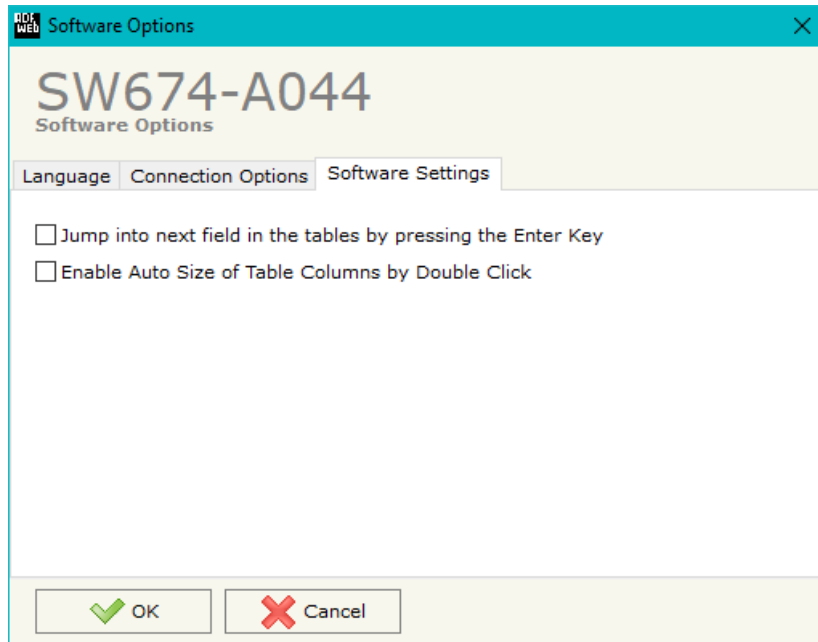
**SOFTWARE OPTIONS:**

By pressing the “**Settings**” () button there is the possibility to change the language of the software and check the updatings for the compositor.

In the section “Language” it is possible to change the language of the software.



In the section “Connection Options”, it is possible to check if there are some updatings of the software compositor in ADFweb.com website. Checking the option “**Check Software Update at Start of Program**”, the SW674-A044 checks automatically if there are updatings when it is launched.



In the section "Software Settings", it is possible to enable/disable some keyboard's commands for an easier navigation inside the tables contained in the different sections of the software.

**SET COMMUNICATION:**

This section define the fundamental communication parameters of two buses, J1939 and MQTT.

By Pressing the "**Set Communication**" button from the main window for SW674-A044 (Fig. 2) the window "Set Communication" appears (Fig. 3).

The window is divided in different sections in order to define the different parameters of the converter:

- Ethernet Connection
- J1939
- MQTT
- Ethernet
- TLS (Transport Layer Security)
- NTP (Network Time Protocol)

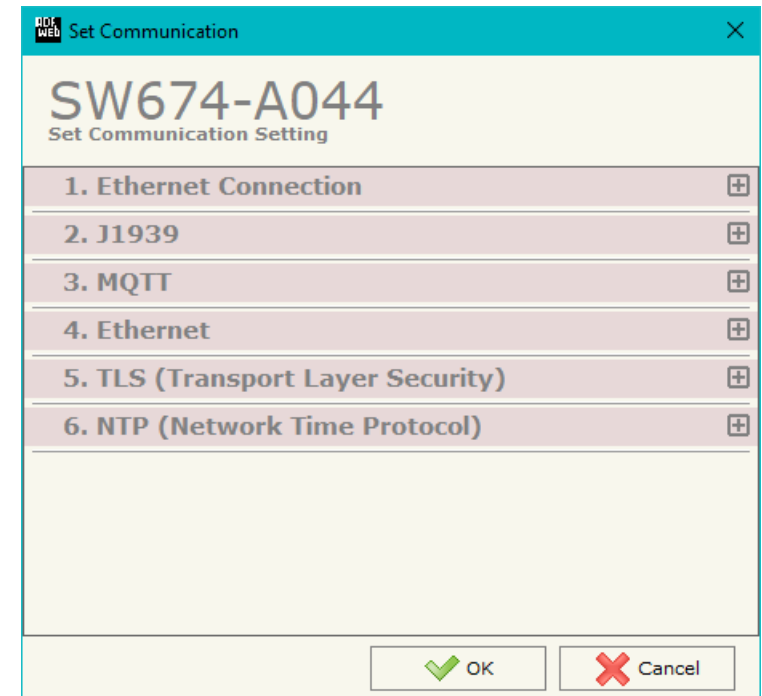


Figure 3a: "Set Communication" window



**ETHERNET CONNECTION:**

The means of the fields for "Ethernet Connection" are:

- In the field "**Device Name (Hostname)**" the Hostname to assign to the converter is defined;
- If the field "**Obtain an IP Address Automatically (DHCP for Cable Connection)**" is checked, DHCP for LAN connection is enabled;
- If the field "**Obtain an IP Address Automatically (DHCP for Wi-Fi Connection)**" is checked, DHCP for Wi-Fi connection is enabled;
- If the field "**Enable DNS**" is checked, DNS protocol is enabled;
- In the field "**Primary DNS**" the IP Address of the primary DNS server is defined;
- In the field "**Secondary DNS**" the IP Address of the secondary DNS server is defined.

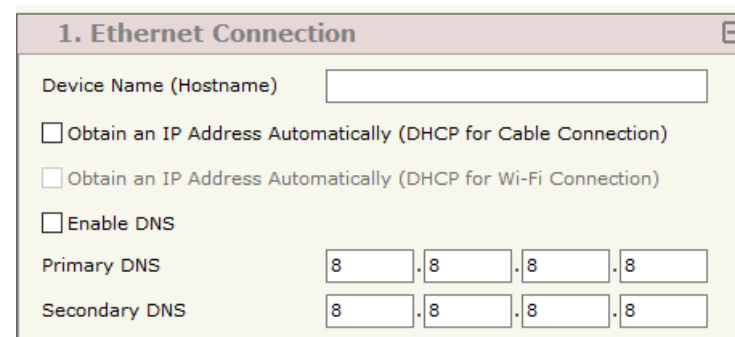


Figure 3b: "Set Communication → Ethernet Connection" window

**J1939:**

The means of the fields for "J1939" are:

- In the field "**Baudrate**" the data rate of J1939 is defined;
- In the field "**TimeOut Data**" a time is defined. When a J1939 message is not received in this time, the data on J1939 side are set to 0xFF;
- If the field "**Enable Peer to Peer**" is checked, the gateway will mask the Source Address of the J1939 messages received.
- In the field "**ID Device J1939**" the ID of J1939 side of the converter is defined.

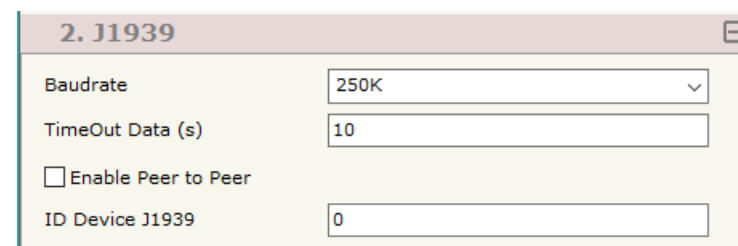


Figure 3c: "Set Communication → J1939" window

**MQTT:**

This section is used to define the main parameters of MQTT line. The means of the fields are:

- In the field "**Server URL**" the URL or the IP Address of the MQTT Server is defined;
- In the field "**Server Port**" the port used for MQTT communication is defined;
- In the field "**Client ID**" the Client ID of the converter is defined (if ned);
- In the field "**Keep Alive (seconds)**" the delay with which the Keep Alive message is sent on MQTT is defined;
- If the field "**Clean Session**" is checked, the last MQTT messages are deleted by the Server and the Client in case of missing ACK. If unchecked, the Server and the Client hold the last MQTT messages and, in case of incorrect disconnection or missing ACK, they try to send again them since all the ACK messages are exchanged correctly (valid only for QoS 1 and QoS 2);
- If the field "**Will Flag**" is checked, the converter will publish the Will topic at the connection to the Server. With this feature, in case of incorrect disconnection, the Server will publish this topic to all the MQTT Clients that subscribed it;
- In the field "**Topic Name Will**" the topic used for Will message is defined;
- In the field "**Message Will**" the payload of the Will message is defined;
- In the field "**Retained Will**" the converter will send the Will message with Retain flag enabled. In this way, the Server will hold the last Will message;
- In the field "**QoS Will**" the QoS type for Will message is defined;
- If the field "**Publish Topic on Connection**" is checked, the converter will publish a topic at the connection to the Server;
- In the field "**Topic Name Connection**" the topic used for the connection message is defined;
- In the field "**Message Connection**" the payload of the connection topic is defined;
- In the field "**Retained Connection**" the converter will send the connection topic with Retain flag enabled. In this way, the Server will hold the last Connection message received;

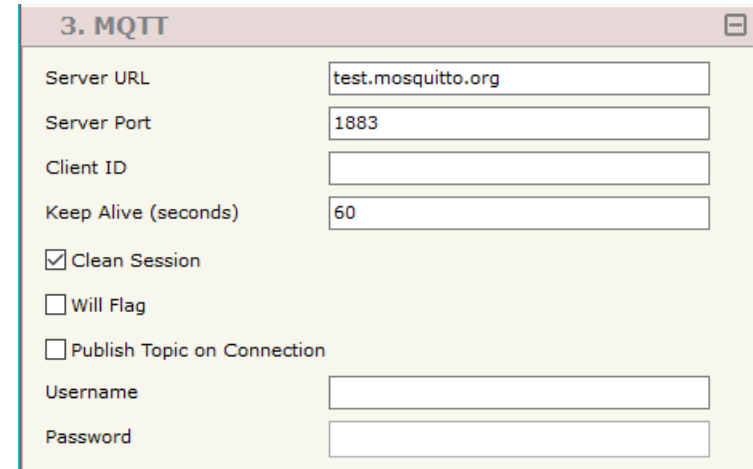


Figure 3d: "Set Communication → MQTT" window

- In the field "**Username**" the username for the connection to the MQTT server is defined;
- In the field "**Password**" the password for the connection to the MQTT server is defined;

### **ETHERNET:**

This section is used to define the general parameters of Ethernet. The means of the fields are:

- In the field "**Ip Address**" the IP address of the converter is defined;
- In the field "**SubNet Mask**" the Subnet Mask of the converter is defined;
- In the field "**Gateway**" the default gateway of the net is defined. This feature can be enabled or disabled pressing the Check Box field. This feature is used for going out of the net;

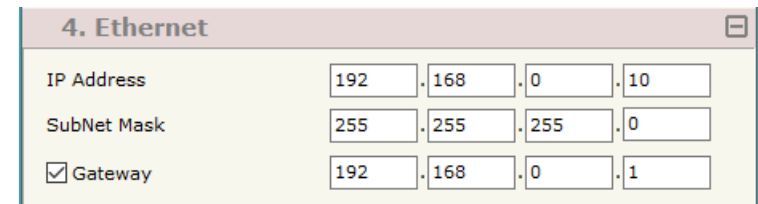


Figure 3e: "Set Communication → Ethernet" window

### **TLS:**

This section is used to define the general parameters of TLS. The means of the fields are:

- If the field "**Enable TLS**" is checked, the TLS protocol for secure connection is enabled;
- If the field "**Server Authentication**" is checked, the authentication of the Server using TLS is enabled. If enabled, in the field "**Server Certificate**" the certificate from the Server is defined;
- If the field "**Client Authentication**" is checked, the authentication of the Client using TLS is enabled. If enabled:
  - in the field "**Client Certificate**" the certificate from the Client is defined;
  - in the field "**Client Key**" the private key of the Client is defined;
  - in the field "**Client Key Password**" the password for the private key of the Client is defined.

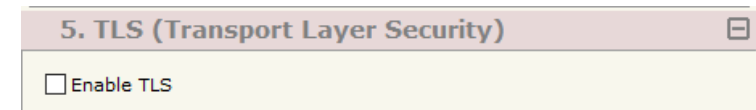


Figure 3f: "Set Communication → TLS" window

**NTP:**

This section is used to define the general parameters of TLS. The means of the fields are:

- In the field "**Server URL**" the URL or the IP Address of the NTP Server is defined;
- In the field "**Poll Time (seconds)**" the polling time for the time synchronization is defined.



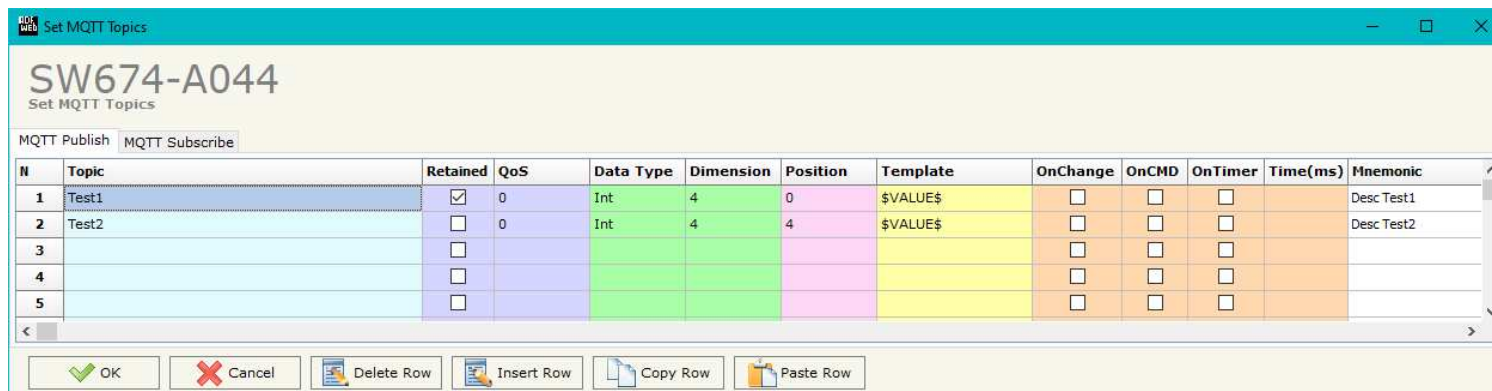
The screenshot shows a configuration window titled "6. NTP (Network Time Protocol)". It contains two input fields: "Server URL" with the value "pool.ntp.org" and "Poll Time (seconds)" with the value "1000".

6. NTP (Network Time Protocol)	
Server URL	<input type="text" value="pool.ntp.org"/>
Poll Time (seconds)	<input type="text" value="1000"/>

## MQTT SET TOPIC:

By Pressing the **"MQTT Set Topic"** button from the main window for SW674-A044 (Fig. 2) the window "Set MQTT Topics" appears (Fig. 4). This section is used to define the MQTT topics where the converter will publish the data from J1939 and the topic that the converter will subscribes for writing the data to J1939.

## MQTT PUBLISH



N	Topic	Retained	QoS	Data Type	Dimension	Position	Template	OnChange	OnCMD	OnTimer	Time(ms)	Mnemonic
1	Test1	<input checked="" type="checkbox"/>	0	Int	4	0	\$VALUE\$	<input type="checkbox"/>	<input type="checkbox"/>	<input type="checkbox"/>		Desc Test1
2	Test2	<input type="checkbox"/>	0	Int	4	4	\$VALUE\$	<input type="checkbox"/>	<input type="checkbox"/>	<input type="checkbox"/>		Desc Test2
3		<input type="checkbox"/>						<input type="checkbox"/>	<input type="checkbox"/>	<input type="checkbox"/>		
4		<input type="checkbox"/>						<input type="checkbox"/>	<input type="checkbox"/>	<input type="checkbox"/>		
5		<input type="checkbox"/>						<input type="checkbox"/>	<input type="checkbox"/>	<input type="checkbox"/>		

Figure 4a: "Set MQTT Topics → MQTT Publish" window

The means of the fields are:

- In the field **"Topic"** the MQTT topic is defined;
- If the field **"Retained"** is defined, the retained flag is enabled. The MQTT server will hold the last topic published;
- In the field **"QoS"** the QoS level is defined;
- In the field **"Data Type"** the type of data to use is defined;
- In the field **"Dimension"** the dimension in byte of the data is defined;
- In the field **"Position"** the starting byte of the internal memory array where taking the data is defined;
- In the field **"Template"** the structure of the MQTT payload is defined. With a double click on it, it is possible to open a window for
- If the field **"On Change"** is checked, the converter publishes the topic when the data from J1939 are changed;
- If the field **"OnCMD"** is checked, the converter publishes the topic when a J1939 message is received;
- If the field **"On Timer"** is checked, the converter publishes the topic cyclically with the delay defined in the field **"Time (ms)";**
- In the field **"Mnemonic"** a description of the topic is defined.

**MQTT SUBSCRIBE**

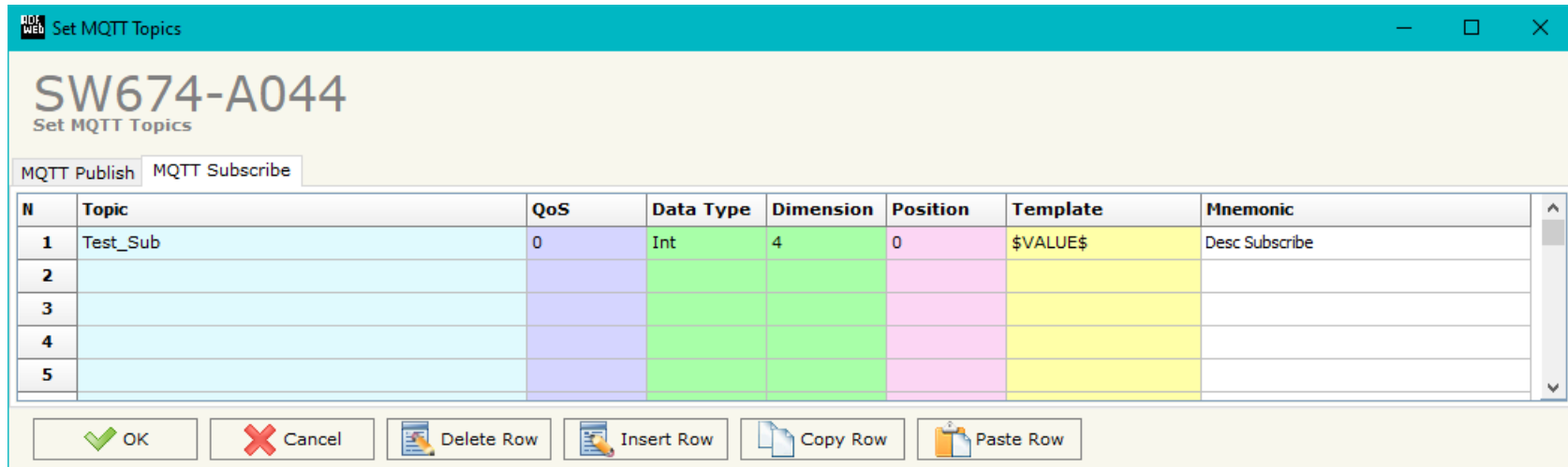


Figure 4b: "Set MQTT Topics → MQTT Subscribe" window

The means of the fields are:

- In the field "**Topic**" the MQTT topic is defined;
- In the field "**QoS**" the QoS level is defined;
- In the field "**Data Type**" the type of data to use is defined;
- In the field "**Dimension**" the dimension in byte of the data is defined;
- In the field "**Position**" the starting byte of the internal memory array where placing the data is defined;
- In the field "**Template**" the structure of the MQTT payload is defined. With a double click on it, it is possible to open a window for editing it;
- In the field "**Mnemonic**" a description of the topic is defined.

**RECEIVE FRAMES:**

By pressing the **Receive Frames** button from the main window for SW674-A044 (Fig. 2) the "Receive J1939 Frames" window appears (Fig. 5). The J1939 frames inserted in this table contains the data to publish on MQTT. These frames are accepted by the converter.

The data of the columns have the following meanings:

- In the field **Data Page** the Data Page is defined, the value can be 0 or 1 (usually it is 0);
- In the field **PGN** the PGN of the data of J1939 message is defined (it is an identifier);
- In the field **Source Address** the address of the device that sends the frame is defined;
- If the field **Transport Protocol** is checked, the frame use transport protocol functions (used to send more than 8 bytes);
- In the field **Start Byte** the start byte of the J1939 message to map into the internal memory is defined;
- In the field **N° Byte** the number of bytes to save is defined;
- If the field **Cancel Data** is checked, the data in the frame will be erased after the expiration of the **TimeOut Data** defined in "Set Communication" section;
- If the field **On Request** is checked, the converter will send the request for the selected PGN;
- In the field **Time (ms)** the delay between the J1939 requests is defined;
- In the field **Mnemonic** a brief description is defined.

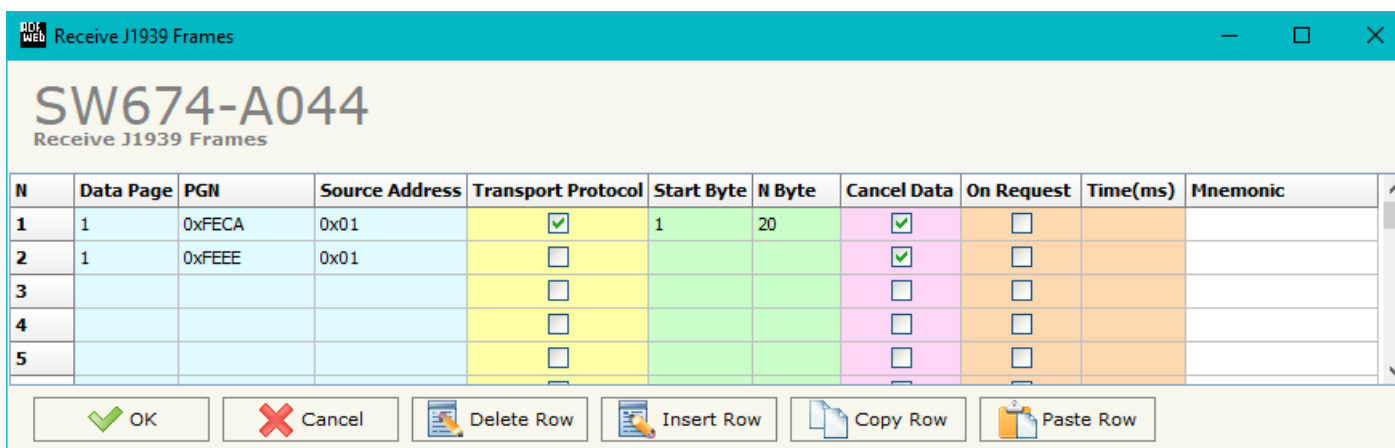


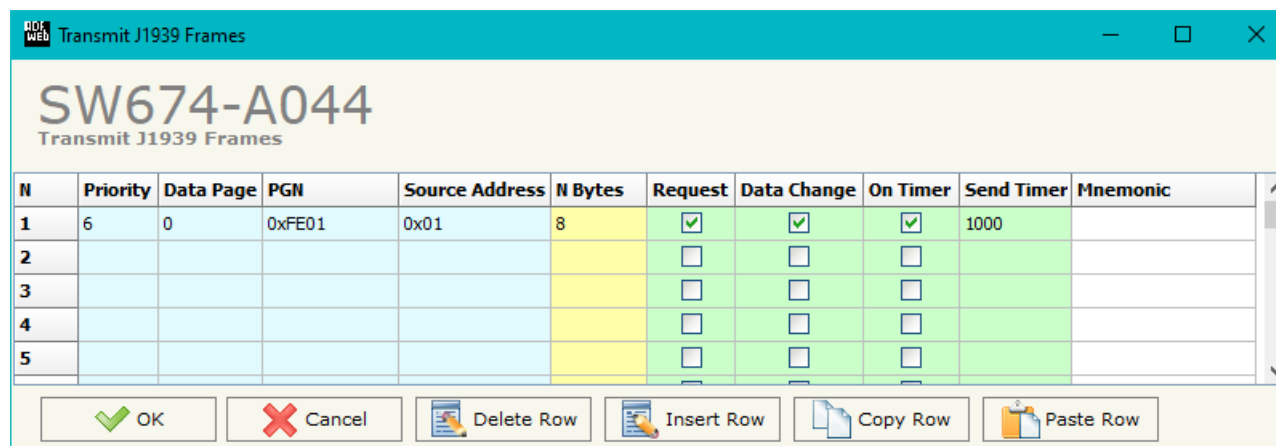
Figure 5: "Receive J1939 Frames" window

## SEND FRAMES:

By pressing the **Send Frames** button from the main window for SW674-A044 (Fig. 2) the "Send J1939 frames" window appears (Fig. 6). The J1939 frames inserted in this table contains the data from the subscribed MQTT topics. These frames are sent by the converter.

The data of the columns have the following meanings:

- In the field **Priority** the priority of the J1939 message is defined. In J1939 protocol, it is a number among 0,1,2,3,4,5,6,7. The number "0" is the highest priority and "7" is the lowest;
- In the field **Data Page** the Data Page is defined, the value can be 0 or 1 (usually it is 0);
- In the field **PGN** the PGN of J1939 message is defined (it is an identifier);
- In the field **Source Address** the source address to use to send the frame is defined;
- In the field **N Bytes** the number of byte of the frame is defined;
- If the field **Request** is checked, the J1939 message is sent when a J1939 request is received;
- If the field **Data Change** is checked, the J1939 frame is sent when the data from MQTT change;
- If the field **On Timer** is checked, the J1939 message is sent cyclically with the delay defined in the field **Send Timer**;
- In the field **Mnemonic** a brief description is defined.



N	Priority	Data Page	PGN	Source Address	N Bytes	Request	Data Change	On Timer	Send Timer	Mnemonic
1	6	0	0xFE01	0x01	8	<input checked="" type="checkbox"/>	<input checked="" type="checkbox"/>	<input checked="" type="checkbox"/>	1000	
2						<input type="checkbox"/>	<input type="checkbox"/>	<input type="checkbox"/>		
3						<input type="checkbox"/>	<input type="checkbox"/>	<input type="checkbox"/>		
4						<input type="checkbox"/>	<input type="checkbox"/>	<input type="checkbox"/>		
5						<input type="checkbox"/>	<input type="checkbox"/>	<input type="checkbox"/>		

Figure 6: "Send J1939 Frames" window



### UPDATE DEVICE:

By pressing the **"Update Device"** button it is possible to load the created Configuration into the device; and also the Firmware, if is necessary.

If you don't know the actual IP address of the device you have to use this procedure:

- Connect the USB cable;
- Connect the Ethernet cable;
- Insert the IP **"192.168.2.205"**;
- Turn ON the device;
- Press the **"Ping"** button, must appear "Device Found!";
- Press the **"Next"** button;
- Select which operations you want to do;
- Press the **"Execute update firmware"** button to start the upload.
- When all the operations are "OK", the updating is done;
- Remove the USB cable.

If you know the actual IP address of the device you have to use this procedure:

- Turn ON the Device with the Ethernet cable inserted;
- Insert the actual IP of the Converter;
- Press the **"Ping"** button, must appear "Device Found!";
- Press the **"Next"** button;
- Select which operations you want to do;
- Press the **"Execute update firmware"** button to start the upload;
- When all the operations are "OK" the device automatically goes at Normal Mode.

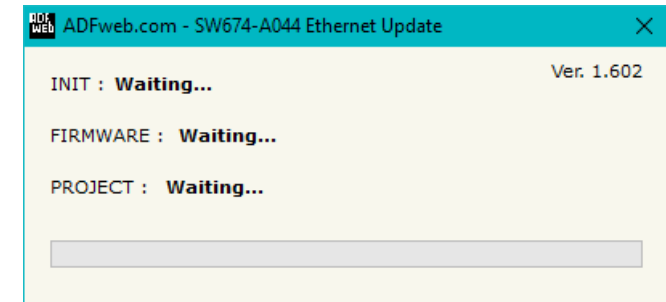
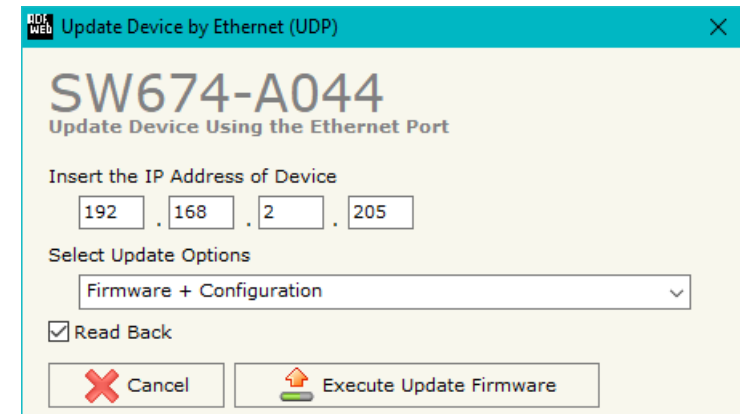


Figure 7: "Update device" windows

**Note:**

When you install a new version of the software it is better if the first time you do the update of the Firmware in the HD674-A044.

**Note:**

When you receive the device, for the first time, you have to update also the Firmware in the HD674-A044 device.

**Warning:**

If the Fig. 7 appears when you try to do the Update before require assistance try these points:

- Try to repeat the operations for the updating;
- Try with another PC;
- Try to restart the PC;
- Check the LAN settings;
- If you are using the program inside a Virtual Machine, try to use in the main Operating System;
- If you are using Windows Seven, Vista, 8 or 10 make sure that you have the administrator privileges;
- In case you have to program more than one device, using the "UDP Update", you have to cancel the ARP table every time you connect a new device on Ethernet. For do this you have to launch the "Command Prompt" and write the command "arp -d". Pay attention that with Windows Vista, Seven, 8 or 10 you have to launch the "Command Prompt" with Administrator Rights;
- Pay attention at Firewall lock.

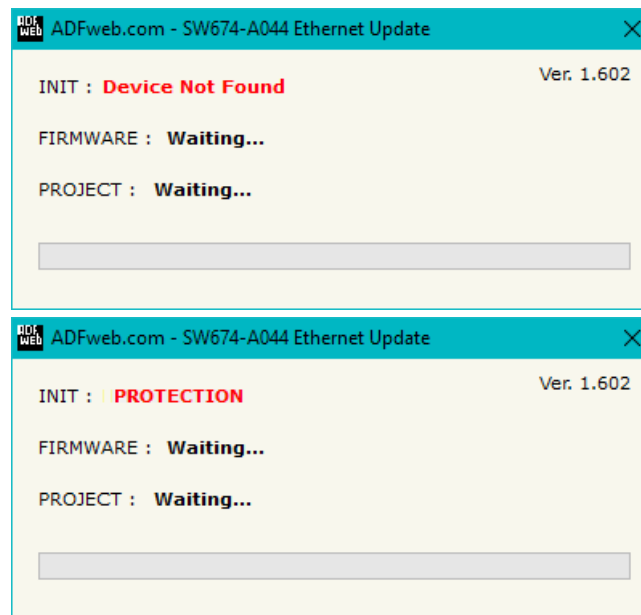


Figure 7: "Protection" error



In the case of HD674-A044 you have to use the software "SW674-A044": [www.adfweb.com/download/filefold/SW674-A044.zip](http://www.adfweb.com/download/filefold/SW674-A044.zip).

## TEMPLATE STRING: DEFINITION OF MQTT PAYLOAD

In the section "Set Communication" of the SW674-A044, it is possible to define a Template string for the MQTT messages. The template is necessary in order to define the structure of the payload of the MQTT message and the info contained. It is possible to have a simple text format or a JSON format.

The definition of the template can be done using Key words, used to link a specific information from/to J1939. The key words used and their meanings are:

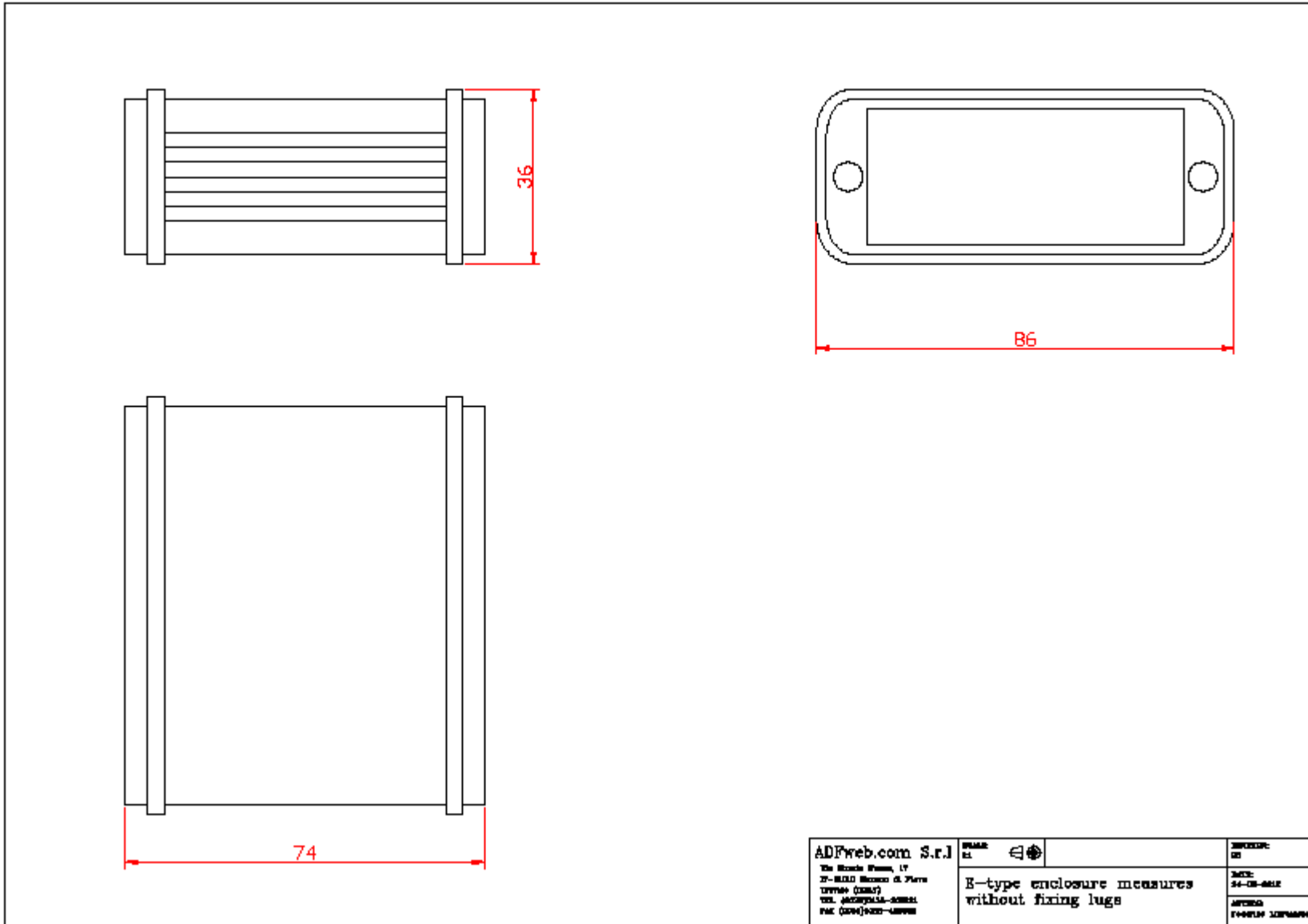
- ➔ VALUE: value of the J1939 variable
- ➔ TIME: date and time of the MQTT message
- ➔ DESC: description of the message

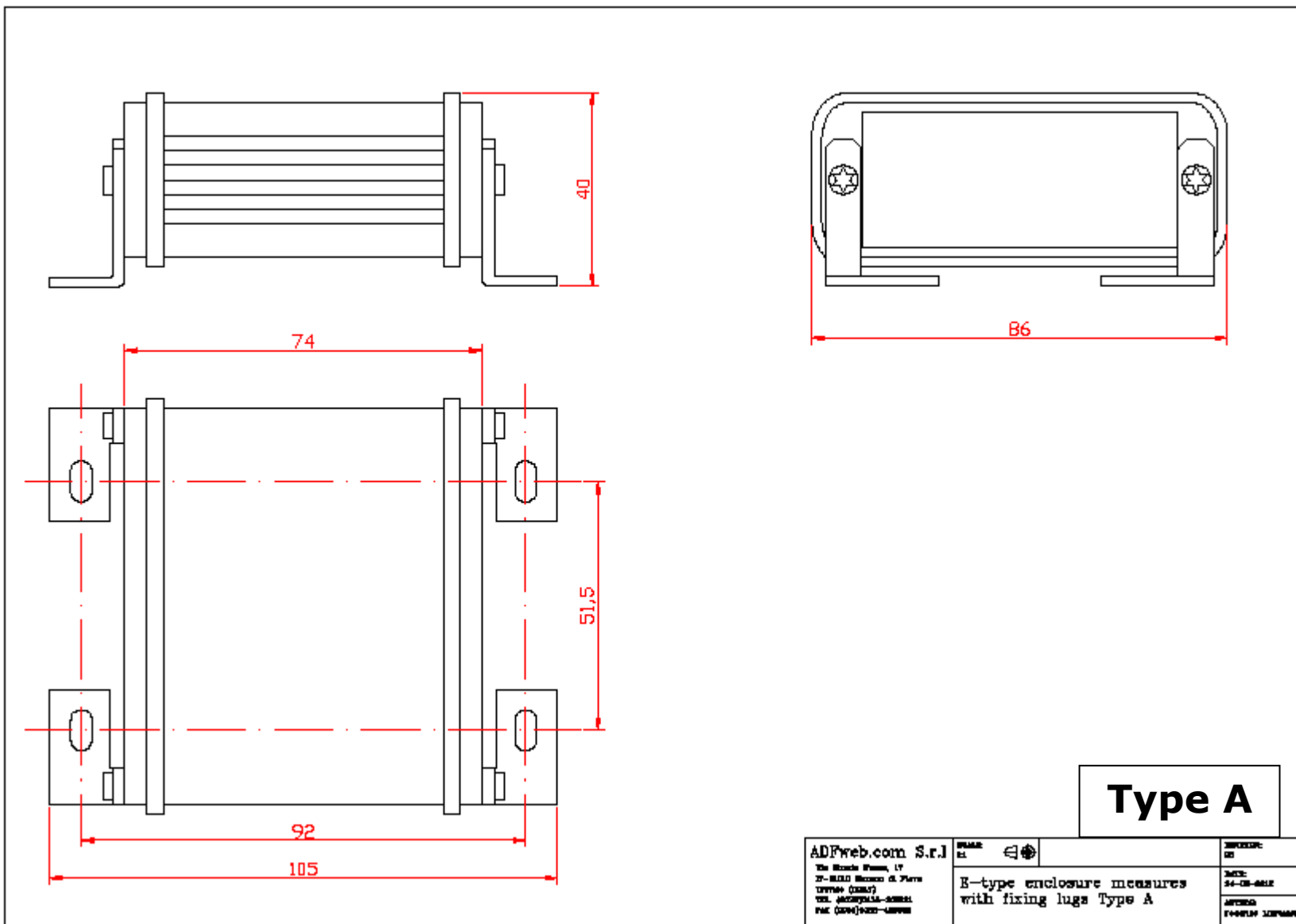


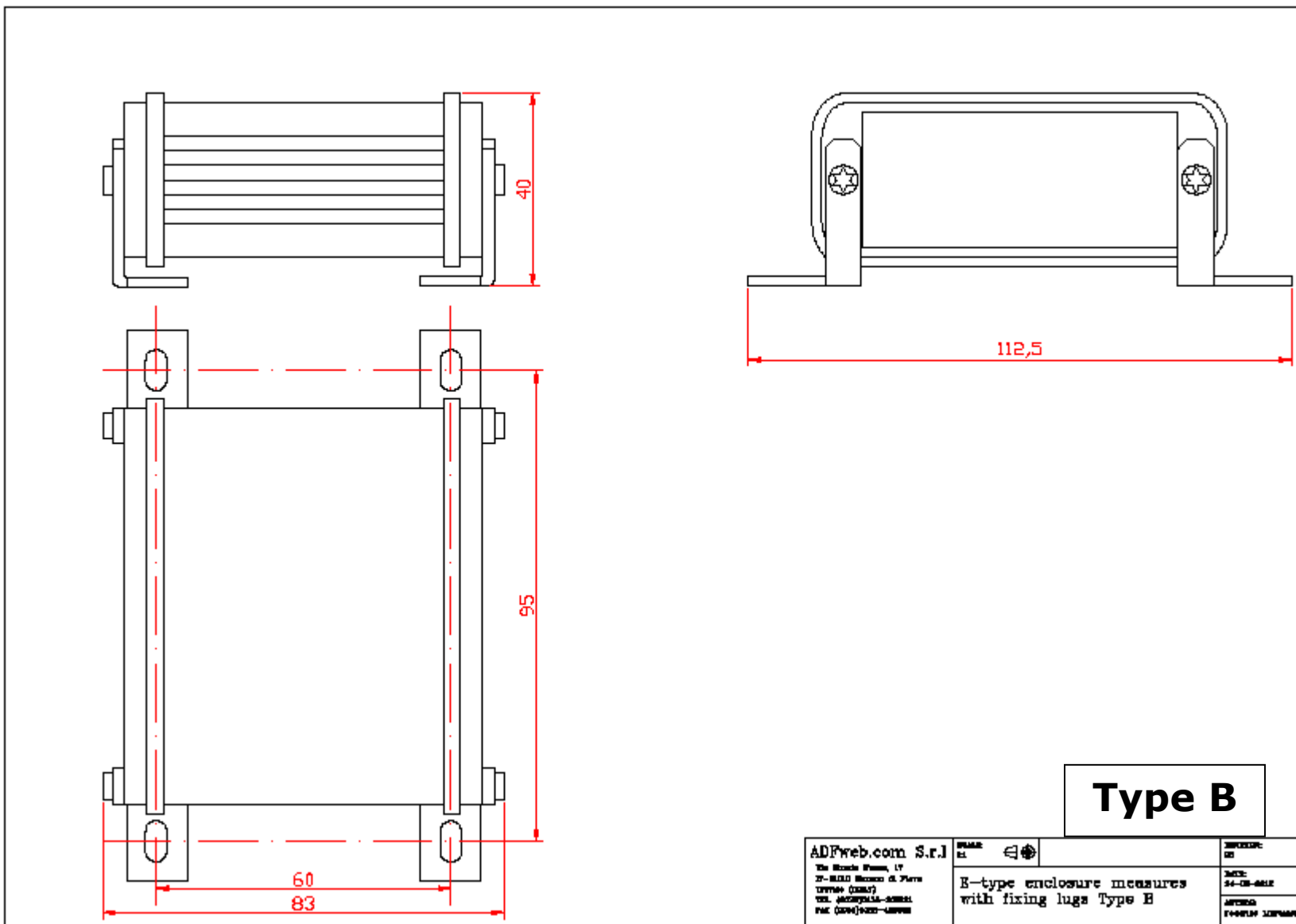
### Warning:

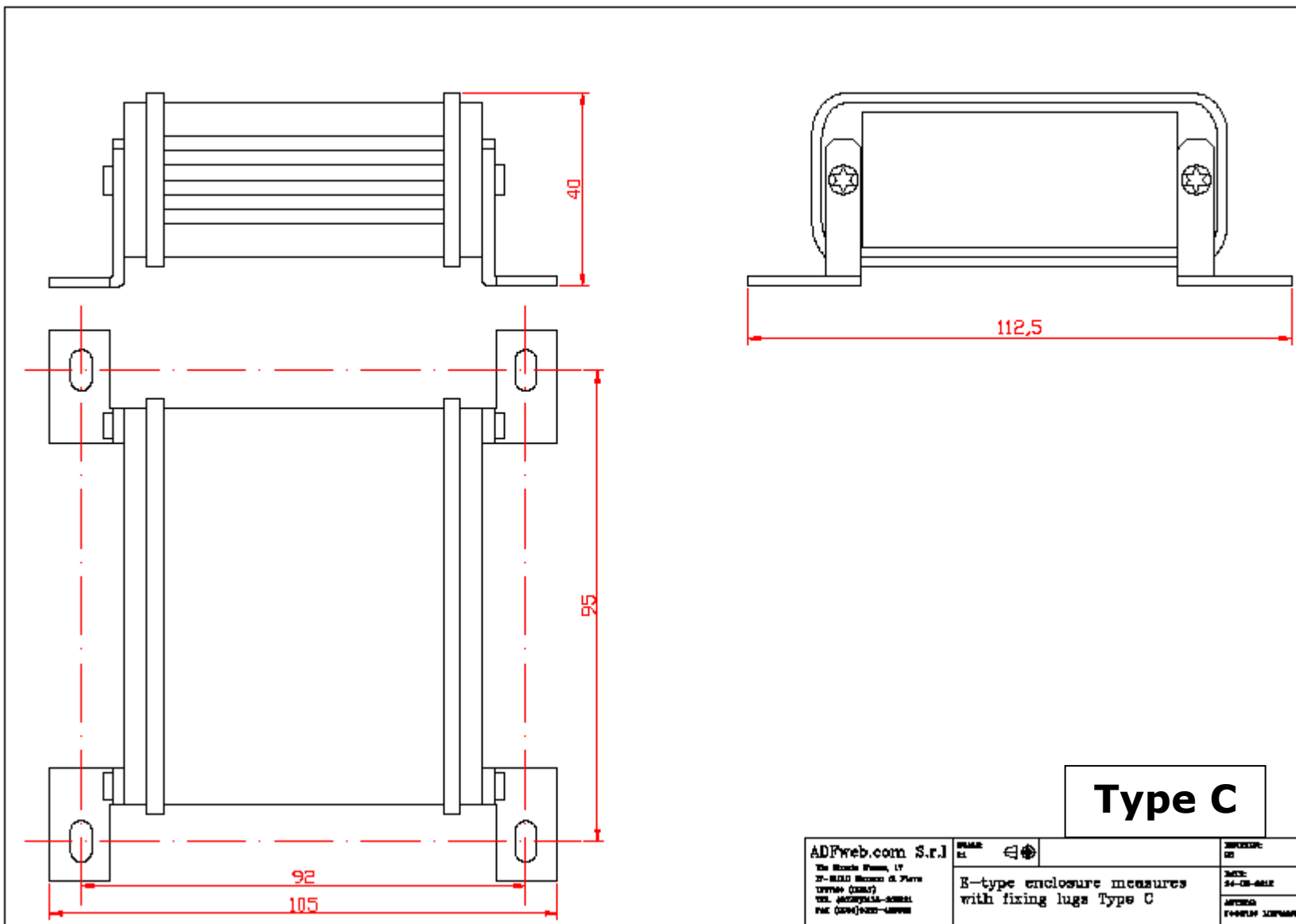
The key words must be defined between "\$" chars in order to be recognized (Ex.: \$VALUE\$).

**MECHANICAL DIMENSIONS:**





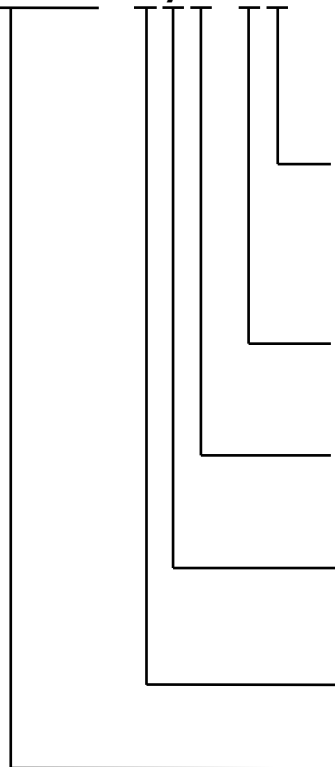




**ORDERING INFORMATIONS:**

The ordering part number is formed by a valid combination of the following:

**HD674-A044 - E y z - s f**



**Fixing lugs**

- A: Type A
- B: Type B
- C: Type C
- D: without fixing lugs

**NMEA 2000 Termination**

- Y: Terminated with 120Ω
- N: Not terminated

**Varnished/Resinated**

- V: Varnished
- R: Resined

**Connectors Type**

- 4: MiniFit
- 7: SuperSeal 1.5

**Enclosure Type**

- E: Metal enclosure

**Device Family**

HD674-A044 = J1939 / MQTT - Converter

**ACCESSORIES:**

- Order Code: **AC34001** - Rail DIN - Power Supply 220/240V AC 50/60Hz – 12 V AC
- Order Code: **AC34002** - Rail DIN - Power Supply 110V AC 50/60Hz – 12 V AC
- Order Code: **AC67410** - Accessory Automotive Devices - Support for rail DIN



**DISCLAIMER:**

All technical content within this document can be modified without notice. The content of the document is a under continual renewal. For losses due to fire, earthquake, third party access or other accidents, or intentional or accidental abuse, misuse, or use under abnormal conditions repairs are charged to the user. ADFweb.com S.r.l. will not be liable for accidental loss of use or inability to use this product, such as loss of business income. ADFweb.com S.r.l. shall not be liable for consequences of improper use.

**OTHER REGULATIONS AND STANDARDS:****WEEE INFORMATION**

Disposal of old electrical and electronic equipment (as in the European Union and other European countries with separate collection systems).

— This symbol on the product or on its packaging indicates that this product may not be treated as household rubbish. Instead, it should be taken to an applicable collection point for the recycling of electrical and electronic equipment. If the product is disposed correctly, you will help prevent potential negative environmental factors and impact of human health, which could otherwise be caused by inappropriate disposal. The recycling of materials will help to conserve natural resources. For more information about recycling this product, please contact your local city office, your household waste disposal service or the shop where you purchased the product.

**RESTRICTION OF HAZARDOUS SUBSTANCES DIRECTIVE**

The device respects the 2002/95/EC Directive on the restriction of the use of certain hazardous substances in electrical and electronic equipment (commonly referred to as Restriction of Hazardous Substances Directive or RoHS).

**CE MARKING**

The product conforms with the essential requirements of the applicable EC directives.

**WARRANTIES AND TECHNICAL SUPPORT:**

For fast and easy technical support for your ADFweb.com SRL products, consult our internet support at [www.adfweb.com](http://www.adfweb.com). Otherwise contact us at the address [support@adfweb.com](mailto:support@adfweb.com)

**RETURN POLICY:**

If while using your product you have any problem and you wish to exchange or repair it, please do the following:

- ➔ Obtain a Product Return Number (PRN) from our internet support at [www.adfweb.com](http://www.adfweb.com). Together with the request, you need to provide detailed information about the problem.
- ➔ Send the product to the address provided with the PRN, having prepaid the shipping costs (shipment costs billed to us will not be accepted).

If the product is within the warranty of twelve months, it will be repaired or exchanged and returned within three weeks. If the product is no longer under warranty, you will receive a repair estimate.



**ADFweb.com S.r.l.**  
Via Strada Nuova, 17  
IT-31010 Mareno di Piave  
TREVISO (Italy)  
Phone +39.0438.30.91.31  
Fax +39.0438.49.20.99  
[www.adfweb.com](http://www.adfweb.com)

