

User Manual

Revision 1.100
English

J1939 / Ethernet – Converter

(Order Code: HD67435)

For Website information:

www.adfweb.com?Product=HD67435

For Price information:

www.adfweb.com?Price=HD67435

Benefits and Main Features:

- ⊕ Very easy to configure
- ⊕ Wide supply input range
- ⊕ Electrical isolation
- ⊕ Industrial temperature range:
- ⊕ -40°C / 105°C (-40°F / 221°F)



For other Gateways / Bridges:

CAN from/to Modbus

See also the following links:

www.adfweb.com?product=HD67012

(Modbus RTU Slave)

www.adfweb.com?product=HD67514

(Modbus TCP Master)

www.adfweb.com?product=HD67515

(Modbus TCP Slave)

CANopen from/to Modbus

See also the following links:

www.adfweb.com?product=HD67001

(Modbus RTU Master)

www.adfweb.com?product=HD67502

(Modbus RTU Slave)

www.adfweb.com?product=HD67504

(Modbus TCP Master)

www.adfweb.com?product=HD67505

(Modbus TCP Slave)

Do you have an your customer protocol?

See the following links:

www.adfweb.com?Product=HD67003

Do you need to choose a device? do you want help?

Ask it to the following link:

www.adfweb.com?Cmd=helpme



User Manual

INDEX:

| | Page |
|---|------|
| INDEX | 2 |
| UPDATED DOCUMENTATION | 2 |
| REVISION LIST | 2 |
| WARNING | 2 |
| TRADEMARKS | 2 |
| SECURITY ALERT | 3 |
| EXAMPLE OF CONNECTION | 4 |
| CONNECTION SCHEME | 5 |
| CHARACTERISTICS | 7 |
| CONFIGURATION | 7 |
| POWER SUPPLY | 8 |
| LEDS | 9 |
| J1939 | 10 |
| ETHERNET | 11 |
| USB | 11 |
| USE OF COMPOSITOR SW67435 | 12 |
| NEW PROJECT / OPEN PROJECT | 13 |
| SOFTWARE OPTIONS | 14 |
| SET COMMUNICATION | 15 |
| RECEIVE J1939 | 16 |
| UPDATE DEVICE | 17 |
| ETHERNET PROTOCOL WITH TRANSPARENT MODE | 19 |
| MECHANICAL DIMENSIONS | 21 |
| ORDER CODE | 25 |
| ACCESSORIES | 25 |
| DISCLAIMER | 26 |
| OTHER REGULATIONS AND STANDARDS | 26 |
| WARRANTIES AND TECHNICAL SUPPORT | 27 |
| RETURN POLICY | 27 |

UPDATED DOCUMENTATION:

Dear customer, we thank you for your attention and we remind you that you need to check that the following document is:

- ✦ Updated
- ✦ Related to the product you own

To obtain the most recently updated document, note the “document code” that appears at the top right-hand corner of each page of this document.

With this “Document Code” go to web page www.adfweb.com/download/ and search for the corresponding code on the page. Click on the proper “Document Code” and download the updates.

REVISION LIST:

| Revision | Date | Author | Chapter | Description |
|----------|------------|--------|---------|-----------------------|
| 1.000 | 11/11/2012 | Dp | All | First release version |
| 1.100 | 13/03/2017 | Ff | All | New Hardware version |
| | | | | |
| | | | | |

WARNING:

ADFweb.com reserves the right to change information in this manual about our product without warning.
ADFweb.com is not responsible for any error this manual may contain.

TRADEMARKS:

All trademarks mentioned in this document belong to their respective owners.

SECURITY ALERT:**GENERAL INFORMATION**

To ensure safe operation, the device must be operated according to the instructions in the manual. When using the device, legal and safety regulation are required for each individual application. The same applies also when using accessories.

INTENDED USE

Machines and systems must be designed so the faulty conditions do not lead to a dangerous situation for the operator (i.e. independent limit switches, mechanical interlocks, etc.).

QUALIFIED PERSONNEL

The device can be used only by qualified personnel, strictly in accordance with the specifications. Qualified personnel are persons who are familiar with the installation, assembly, commissioning and operation of this equipment and who have appropriate qualifications for their job.

RESIDUAL RISKS

The device is state-of-the-art and is safe. The instruments can represent a potential hazard if they are inappropriately installed and operated by untrained personnel. These instructions refer to residual risks with the following symbol:

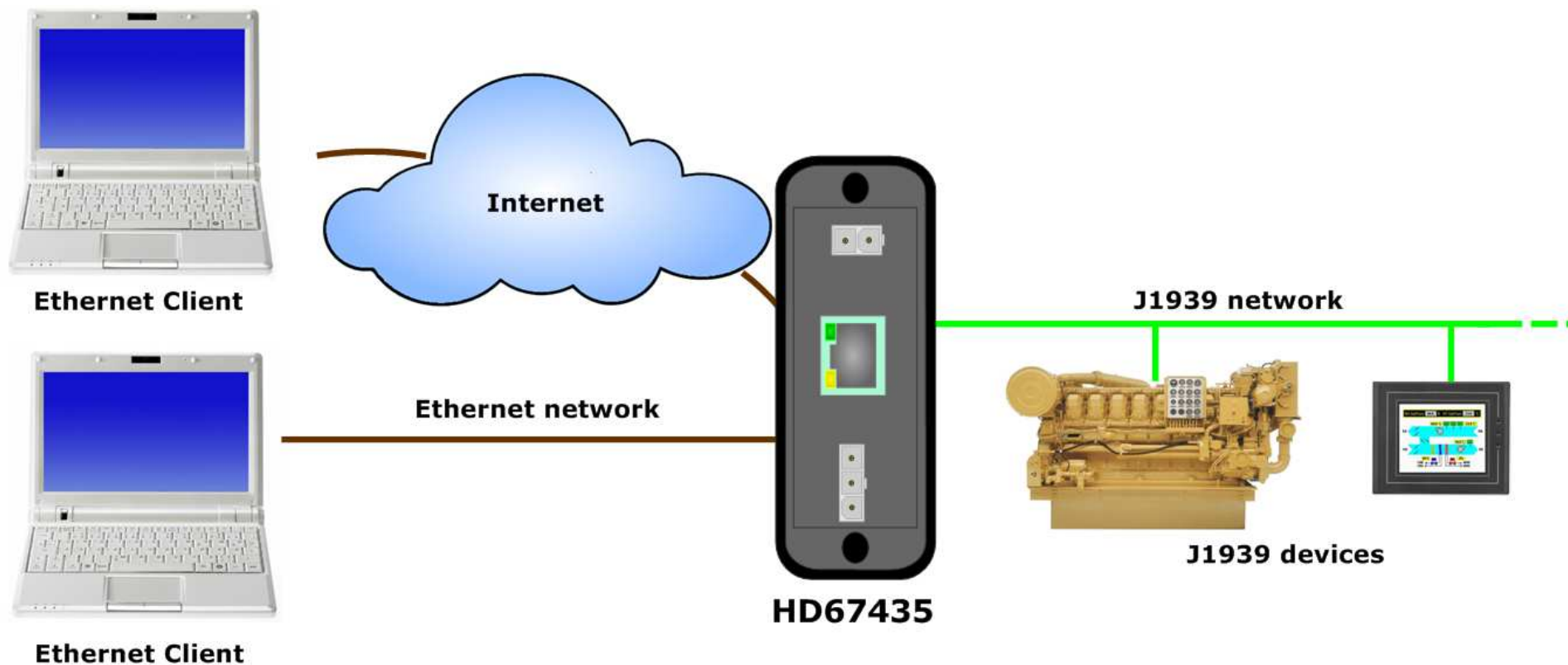


This symbol indicates that non-observance of the safety instructions is a danger for people that could lead to serious injury or death and / or the possibility of damage.

CE CONFORMITY

The declaration is made by our company. You can send an email to support@adfweb.com or give us a call if you need it.

EXAMPLE OF CONNECTION:



CONNECTION SCHEME:

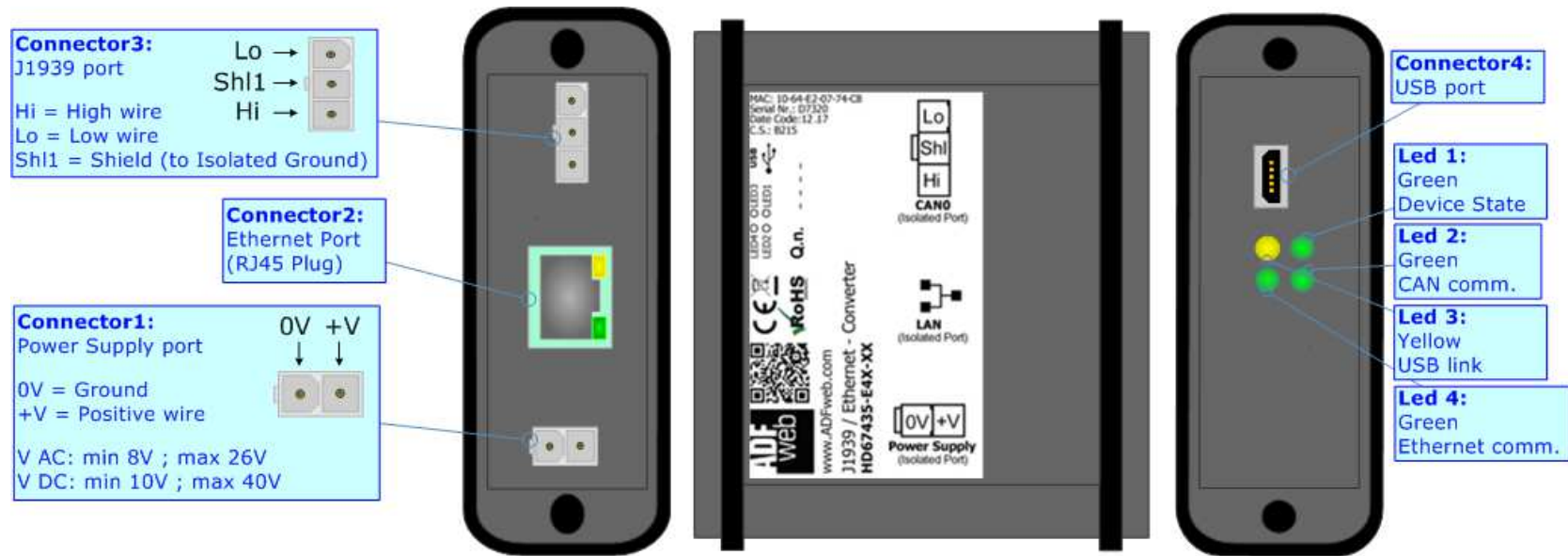


Figure 1a: Connection scheme for HD67435-E4x-xx

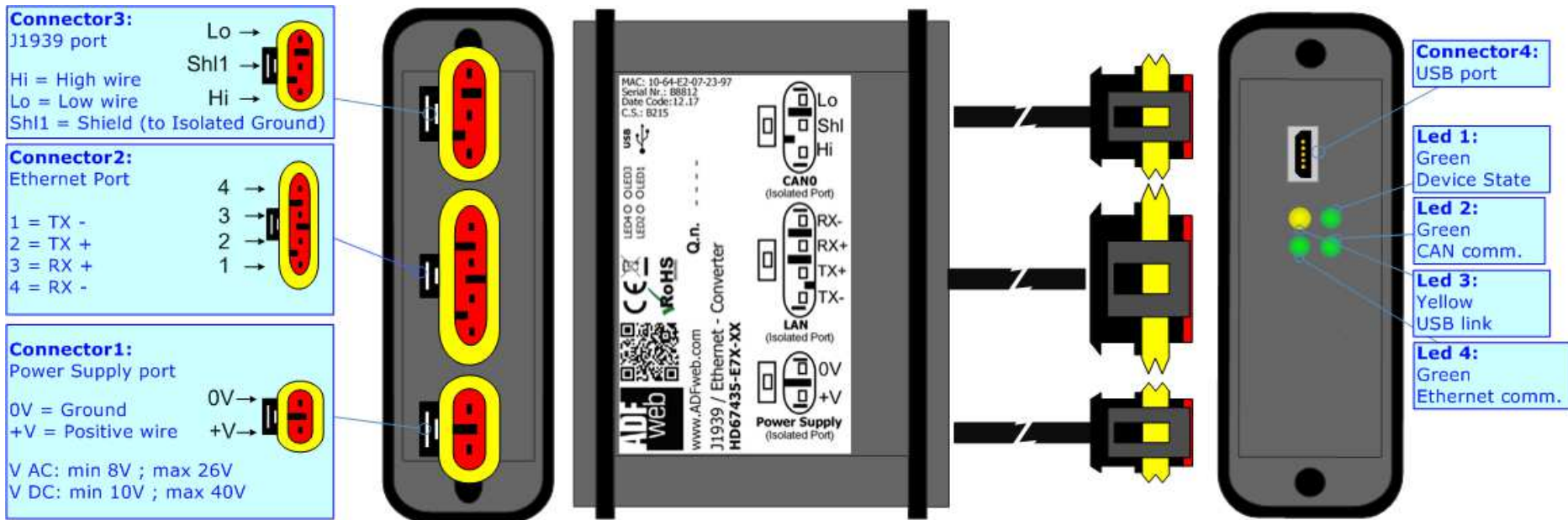


Figure 1b: Connection scheme for HD67435-E7x-xx

CHARACTERISTICS:

The "**HD67435**" series are rugged devices used to interface J1939 devices with Ethernet devices.

This converter allows the interface between CAN devices and Ethernet devices and vice versa, through a very simple Ethernet protocol. The function can be selected through software compositor.

With his particular enclosure, equipped with four fixing lugs, makes available the mounting of the device in any plane surface (horizontal, vertical, oblique).

It is possible to have the device varnished or totally resined and also in both cases with "Mini-Fit®" connectors or "AMP SuperSeal 1.5" connectors. If is resined, the enclosure, like the "AMP SuperSeal 1.5" connectors, is waterproof.

All the four series have these characteristics:

- Triple 4kV isolation between Power Supply / Ethernet / J1939;
- Varnished / Resined (optionally);
- Wide power supply input range: 8...26V AC | 10...40V DC;
- Mini-Fit® / AMP SuperSeal 1.5 connectors;
- Metal enclosure with fixing lugs;
- Possibility to use Metal hose clamps for fixing it without using lugs;
- Microprocessor for data control;
- Wide temperature range: -40°C / 105°C (-40°F / 221°F).

CONFIGURATION:

You need Compositor SW67435 software on your PC in order to perform the following:

- Define the parameter of the J1939 bus;
- Define the parameter of the Ethernet;
- Define a list of Receive COB
- Update the Firmware and/or the Project.

POWER SUPPLY:

The devices can be powered between a wide range of tensions. For more details see the two tables below.

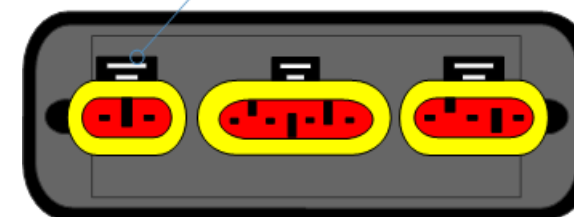
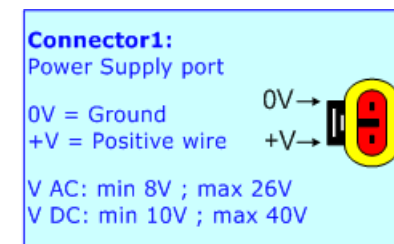
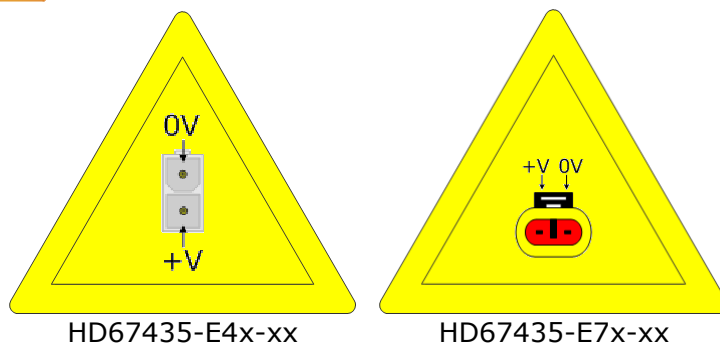
| | VAC | | VDC | |
|-----------------------|-----------|------------|------------|------------|
| | Vmin | Vmax | Vmin | Vmax |
| HD67435-Exx-xx | 8V | 26V | 10V | 40V |

Consumption at 24V DC:

| Device | W/VA |
|----------------|------|
| HD67435-Exx-xx | 4 |



Caution: Not reverse the polarity power

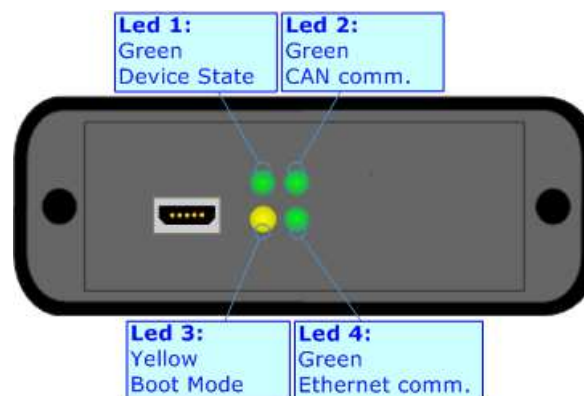


Note: It is possible to use also negative tensions. In this case the polarity must be inverted.

LEDS:

The device has got four LEDs that are used to give information of the functioning status. The various meanings of the LEDs are described in the table below.

| LED | Normal Mode | Boot Mode |
|-----------------------------------|---|---|
| 1: Device state (green) | Blinks slowly (~1Hz) | Blinks quickly: Boot state Blinks very slowly (~0.5Hz): update in progress |
| 2: CAN communication (green) | Blinks when J1939 frames are received | Blinks quickly: Boot state Blinks very slowly (~0.5Hz): update in progress |
| 3: USB link (yellow) | ON: USB cable inserted OFF: USB cable not inserted | ON: USB cable inserted OFF: USB cable not inserted |
| 4: Ethernet communication (green) | Blinks when an Ethernet request is received | Blinks quickly: Boot state Blinks very slowly (~0.5Hz): update in progress |



J1939:

The connection of the J1939 in the HD67435-E4x-xx device must be made with a 3way MiniFit Female connector. The pinout of Male MiniFit connector of the board is at right side of the page.

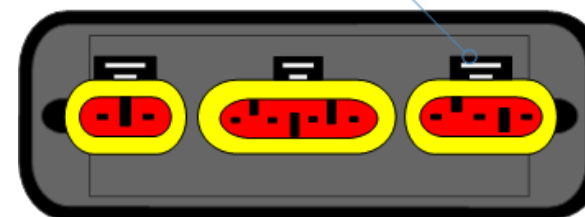
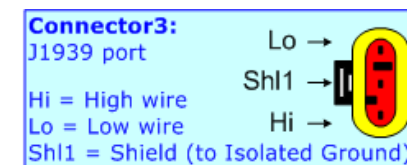
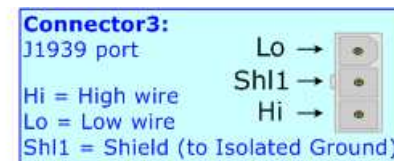
The connection of the J1939 in the HD67435-E7x-xx device must be made with a AMP SuperSeal 1.5 Male connector. The pinout of Female connector of the board is at right side of the page.

The termination of J1939 line, with a 120Ω resistor, in the HD67435-Exx-xx is made internally of the device; when the order is performed. If the device have the J1939 terminated the code is the follow: HD67435-Exx-Yx; otherwise is this other: HD67435-Exx-Nx.

Cable characteristics:

| | | |
|-----------------------|-----------|-----------|
| DC parameter: | Impedance | 70 Ohm/m |
| AC parameters: | Impedance | 120 Ohm/m |
| | Delay | 5 ns/m |

| Length | Baud Rate [bps] | Length MAX [m] |
|--------|-----------------|----------------|
| | 10 K | 5000 |
| | 20 K | 2500 |
| | 50 K | 1000 |
| | 100 K | 650 |
| | 125 K | 500 |
| | 250 K | 250 |
| | 500 K | 100 |
| | 800 K | 50 |
| | 1000 K | 25 |

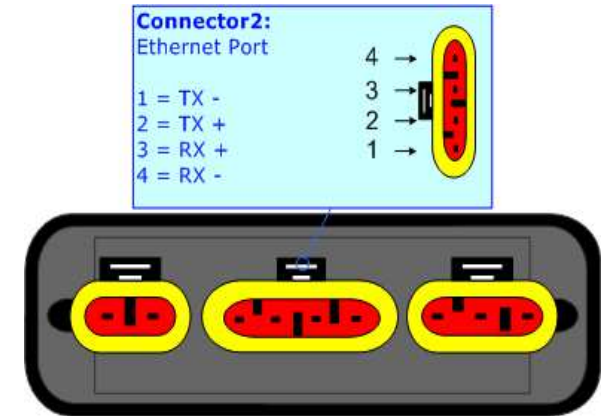


ETHERNET:

The connection of Ethernet in the HD67435 device must be made with at least a Category 5E cable. The maximum length of the cable should not exceed 100m. The cable has to conform to the T568 norms relative to connections in cat.5 up to 100 Mbps. To connect the device to an Hub/Switch is recommended the use of a straight cable, to connect the device to a PC/PLC/other is recommended the use of a cross cable.

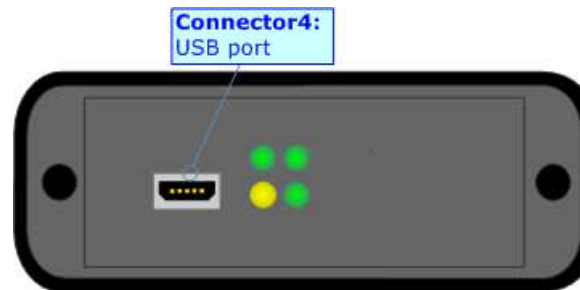
The connection of Ethernet in the HD67435-E4x-xx device must be made with RJ45 connector.

The connection of the Ethernet in the HD67435-E7x-xx device must be made with a AMP SuperSeal 1.5 Male connector. The pinout of Female connector of the board is at right side of the page.



USB:

The USB port is used to start the converter in Boot Mode. It is necessary to use a Micro USB type B cable.



USE OF COMPOSITOR SW67435:

To configure the Converter, use the available software that runs with Windows called SW67435. It is downloadable on the site www.adfweb.com and its operation is described in this document. (*This manual is referenced to the last version of the software present on our web site*). The software works with MSWindows (XP, Vista, Seven, 8, 10; 32/64bit).

When launching the SW67435, the window below appears (Fig. 2).

**Note:**

It is necessary to have installed .Net Framework 4.

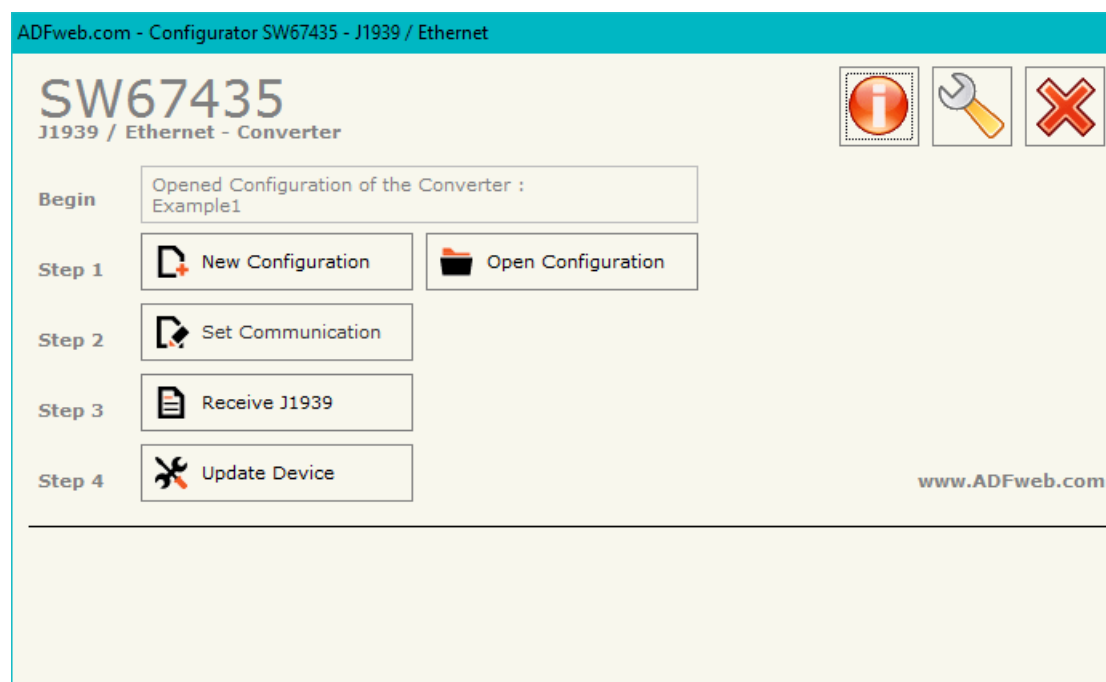
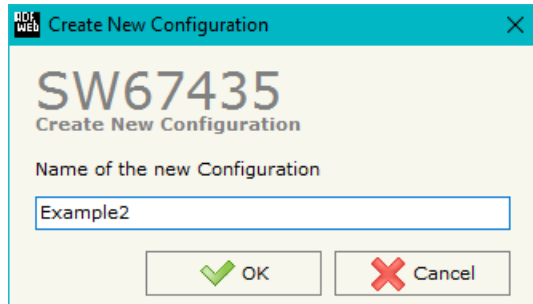


Figure 2: Main window for SW67435

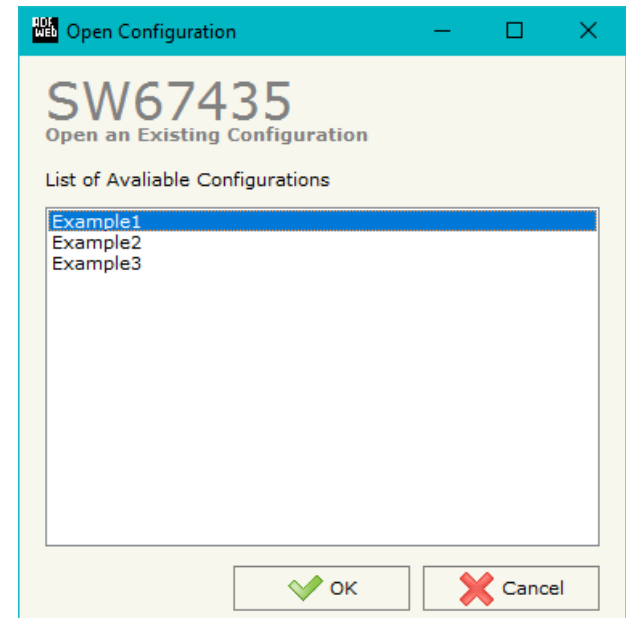
NEW CONFIGURATION / OPEN CONFIGURATION:

The “**New Configuration**” button creates the folder which contains the entire device’s configuration.




A device’s configuration can also be imported or exported:

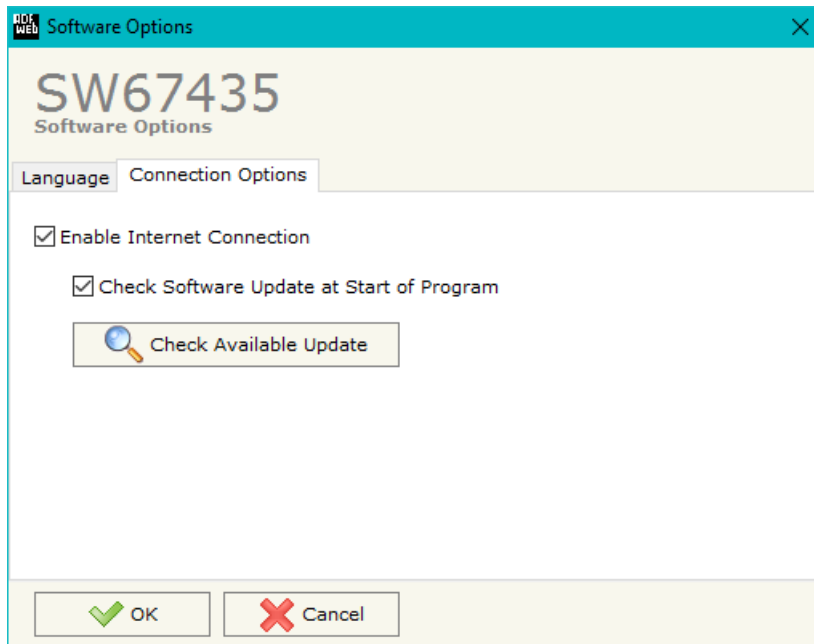
- To clone the configurations of a programmable “J1939 / Ethernet - Converter” in order to configure another device in the same manner, it is necessary to maintain the folder and all its contents;
- To clone a project in order to obtain a different version of the project, it is sufficient to duplicate the project folder with another name and open the new folder with the button “**Open Configuration**”.



SOFTWARE OPTIONS:

By pressing the “**Settings**” () button there is the possibility to change the language of the software and check the updatings for the compositor.

In the section “Language” it is possible to change the language of the software.



In the section “Connection Options”, it is possible to check if there are some updatings of the software compositor in ADFweb.com website. Checking the option “**Check Software Update at Start of Program**”, the SW67435 checks automatically if there are updatings when it is launched.

SET COMMUNICATION:

This section define the fundamental communication parameters of two buses, J1939 and Ethernet.

By Pressing the "**Set Communication**" button from the main window of SW67435 (Fig. 2) the window "Set Communication" appears (Fig. 3).

The means for the fields for the "J1939" are:

- In the field "**Baudrate**" the data rate of the J1939 is defined;
- In the field "**TimeOut Data (s)**" a time is defined. When this time is expired, the data on Ethernet side will be set to `0xFF`;
- If the field "**Enable Peer to Peer**" is checked, the converter accepts all the IDs that have the PGNs inserted in the "Receive J1939" section;
- In the field "**Device ID J1939**" the J1939 address for the converter is defined.

The means for the fields for "Ethernet" are:

- In the field "**IP Address**", the IP address of the Ethernet side of the converter is defined;
- In the field "**SubNet Mask**" the SubNet Mask of the Ethernet side of the converter is defined;
- In the field "**Gateway**", the default gateway of the network is defined. This feature can be enabled or disabled pressing the Check Box field. This feature is used for going out of the net;
- In the field "**Port**" the port used for Ethernet communication is defined.

The screenshot shows the 'Set Communication' dialog box for device SW67435. It is divided into two main sections: J1939 and Ethernet. The J1939 section has a Baudrate dropdown set to 250K, a TimeOut Data (s) input field set to 0, an unchecked 'Enable Peer to Peer' checkbox, and a Device ID J1939 input field set to 1. The Ethernet section has an IP ADDRESS field with four sub-fields containing 192, 168, 0, and 10; a SUBNET Mask field with four sub-fields containing 255, 255, 255, and 0; an unchecked 'GATEWAY' checkbox; and a Port input field set to 502. At the bottom right, there are 'OK' and 'Cancel' buttons.

Figure 3: "Set Communication" window

RECEIVE J1939:

By pressing the "Receive J1939" button from the main window for SW67435 (Fig. 2) the window "Receive J1939 Frames" appears (Fig. 4). This section is used to define the J1939 messages accepted by the converter.

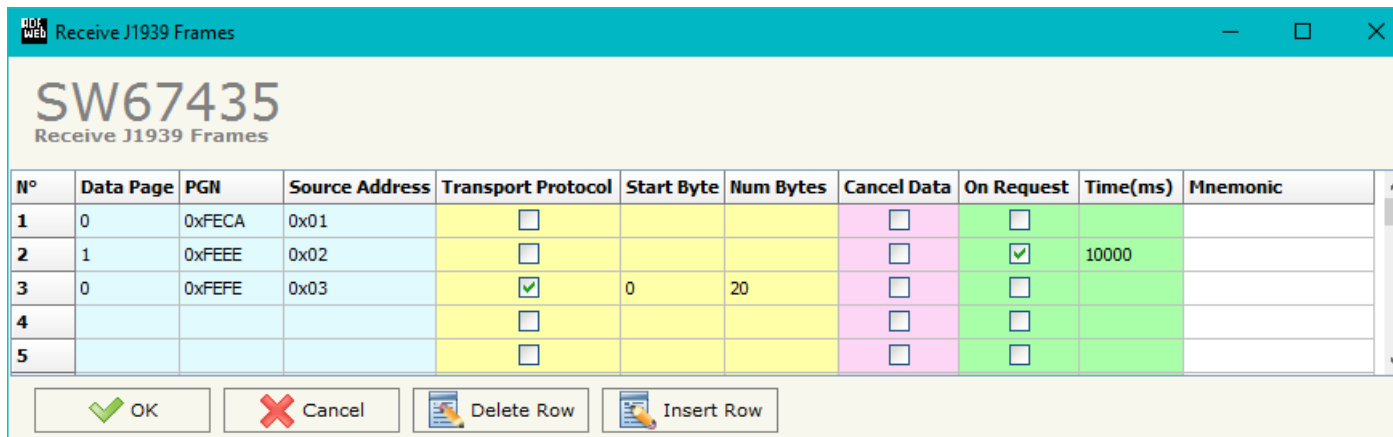


Figure 4: "Receive J1939 Frames" window

The means of the fields of the table are:

- In the field "Data Page" the data page of the J1939 message is defined. The value can be 0 or 1 (usually it is 0);
- In the field "PGN" the PGN of the J1939 message to be read from Ethernet is defined (in J1939 protocol the PGN is an identifier);
- In the field "Source Address" the address of the device that sends the frame is defined;
- If the field "Transport Protocol" is checked, the frame will use Transport Protocol functions (it is used to send more than 8 bytes);
- In the field "Start Byte" the starting byte to map on Ethernet side is defined. This field is enabled only when the field "Transport Protocol" is checked;
- In the field "Num Bytes" the number of consecutive bytes starting from the "Start Byte" is defined;
- If the field "Cancel Data" is checked, the Time Out on the data is enabled. When the data arrived from J1939 are older than the TimeOut (defined in the section "Set Communication"), the data bytes will be set to 0xFF value;
- If the field "On Request" is checked, the Remote Request frame is enable. The converter sends the Remote Request frame cyclically with an interval expressed in the "Time(ms)" fields.
- In the field "Time(ms)" the interval of the Remote Request is defined.
- In the field "Mnemonic" the description for the frame is defined.

UPDATE DEVICE:

By pressing the **Update Device** button, it is possible to load the created Configuration into the device; and also the Firmware, if necessary.

If you don't know the actual IP address of the device you have to use this procedure:

- Connect the USB cable;
- Connect the Ethernet cable;
- Turn ON the converter;
- Insert the IP **"192.168.2.205"**;
- Press the **Ping** button, "Device Found! must appear";
- Press the **Next** button;
- Select which operations you want to do;
- Press the **Execute update firmware** button to start the upload;
- When all the operations are "OK", the updating is done;
- Remove the USB cable;

If you know the actual IP address of the device, you have to use this procedure:

- Turn ON the Device with the Ethernet cable inserted;
- Insert the actual IP of the Converter;
- Press the **Ping** button, must appear "Device Found!";
- Press the **Next** button;
- Select which operations you want to do;
- Press the **Execute update firmware** button to start the upload;
- When all the operations are "OK" the device automatically goes at Normal Mode.

At this point the configuration/firmware on the device is correctly updated.

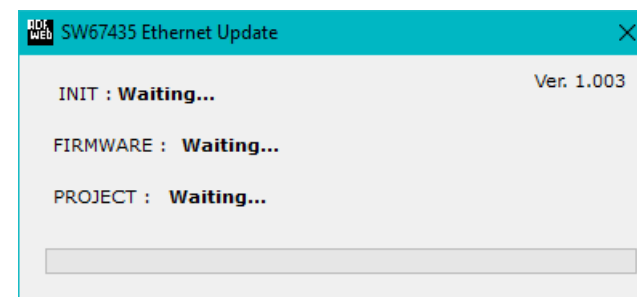
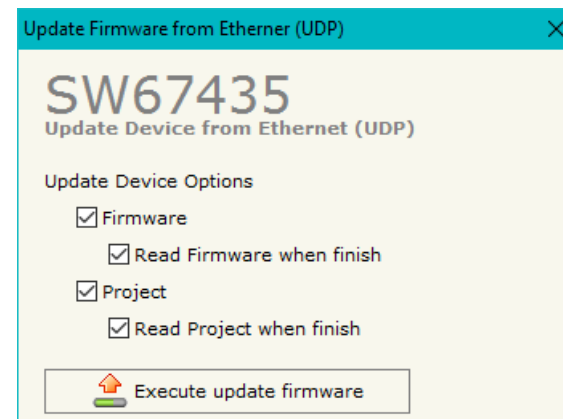
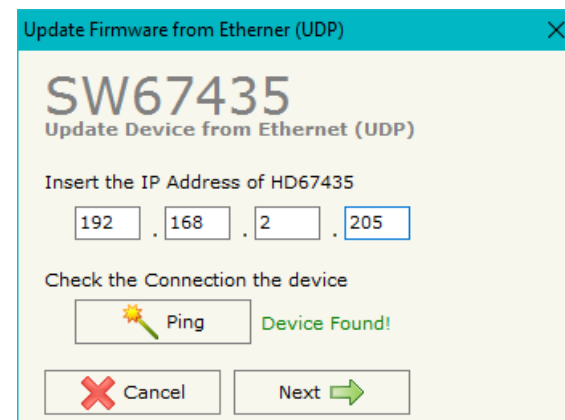


Figure 5: "Update Device" windows

**Note:**

When you install a new version of the software, if it is the first time it is better you do the update of the Firmware in the HD67435 device.

**Note:**

When you receive the device, for the first time, you also have to update the Firmware in the HD67435 device.

**Warning:**

If Fig. 6 appears when you try to do the Update try these points before seeking assistance:

- Try to repeat the operations for the updating;
- Try with another PC;
- Try to restart the PC;
- Check the LAN settings;
- If you are using the program inside a Virtual Machine, try to use in the main Operating System;
- If you are using Windows Seven, Vista, 8 or 10 make sure that you have the administrator privileges;
- In case you have to program more than one device, using the "UDP Update", you have to cancel the ARP table every time you connect a new device on Ethernet. For do this you have to launch the "Command Prompt" and write the command "arp -d". Pay attention that with Windows Vista, Seven, 8, 10 you have to launch the "Command Prompt" with Administrator Rights;
- Pay attention at Firewall lock.

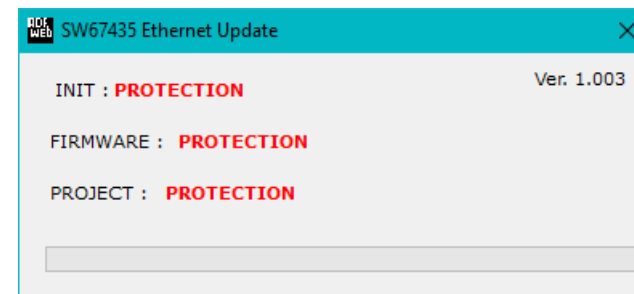


Figure 6: "Protection" window

In the case of HD67435 you have to use the software "SW67435": www.adfweb.com/download/filefold/SW67435.zip.

ETHERNET PROTOCOL

This protocol is able to read and write frames in the J1939 net.

Write Frames

The transmission is very simple, it require only what are the packets to send. In a single request it is possible to write at maximum 19 frames in the J1939 net. The Bytes that composed the request are these:

| Byte Number | Description |
|-------------|---|
| 1 | Read / Write Identifier (Read=0x01 / Write=0x02) |
| 2 | Number of frames to send |
| 3 | Priority |
| 4 | Data Page |
| 5 | PGN Hi |
| 6 | PGN Lo |
| 7 | Source Address |
| 8÷15 | Data (Byte 8 is the higher, byte 15 is the lower) |

A single frame is composed by 13 bytes (byte 3 to byte 15). Now if the "Number of frame to send" (Byte Number 2) has got a value greater than one the next frame is composed from byte 3 to byte 15 and so for all the frames.

The response is composed by only one byte. It can have two values:

- 0x00: No Errors;
- 0x01: Parameter Error.

Example:

We want to write two frames with the following characteristics:

Frame 1: Priority=6; Data Page=0; PGN=FECA; Source Address=1; Data=0x0102030405060708;

Frame 2: Priority=6; Data Page=0; PGN=FFCA; Source Address=2; Data=0x1122334455667788.

So the string of hexadecimal numbers is:

REQ:[02][01][06][00][FE][CA][01][01][02][03][04][05][06][07][08][06][00][FF][CA][02][11][22][33][44][55][66][77][88]
 RES:[01]

Read Frames

For reading Data it is necessary to have a map in the RAM memory that contains the Data that passing in the bus. This map is implemented in the "Compositor SW67435" but it has some standard address given by the software. It is possible to see this map in Fig. 4.

The Bytes that composed the request are these:

| Byte Number | Description |
|-------------|--|
| 1 | Read / Write Identifier (Read=0x01 / Write=0x02) |
| 2 | Starting Address Hi |
| 3 | Starting Address Lo |
| 4 | Number of Byte to read Hi |
| 5 | Number of Byte to read Lo |

The Bytes that composed the respons are these:

| Byte Number | Description |
|-------------|-------------|
| 1 | Error |
| 2 | TimeOut |
| 3÷n+2 | Data |

n=Number of Byte

The Error Byte (Byte 1) can have three values:

- 0x00: No error;
- 0x01: Starting Address doesn't exist;
- 0x02: Too many Data to read.

The TimeOut Byte (Byte 2) can have three values:

- 0x00: TimeOut not used;
- 0x01: Data consistent;
- 0x02: Data not consistent.

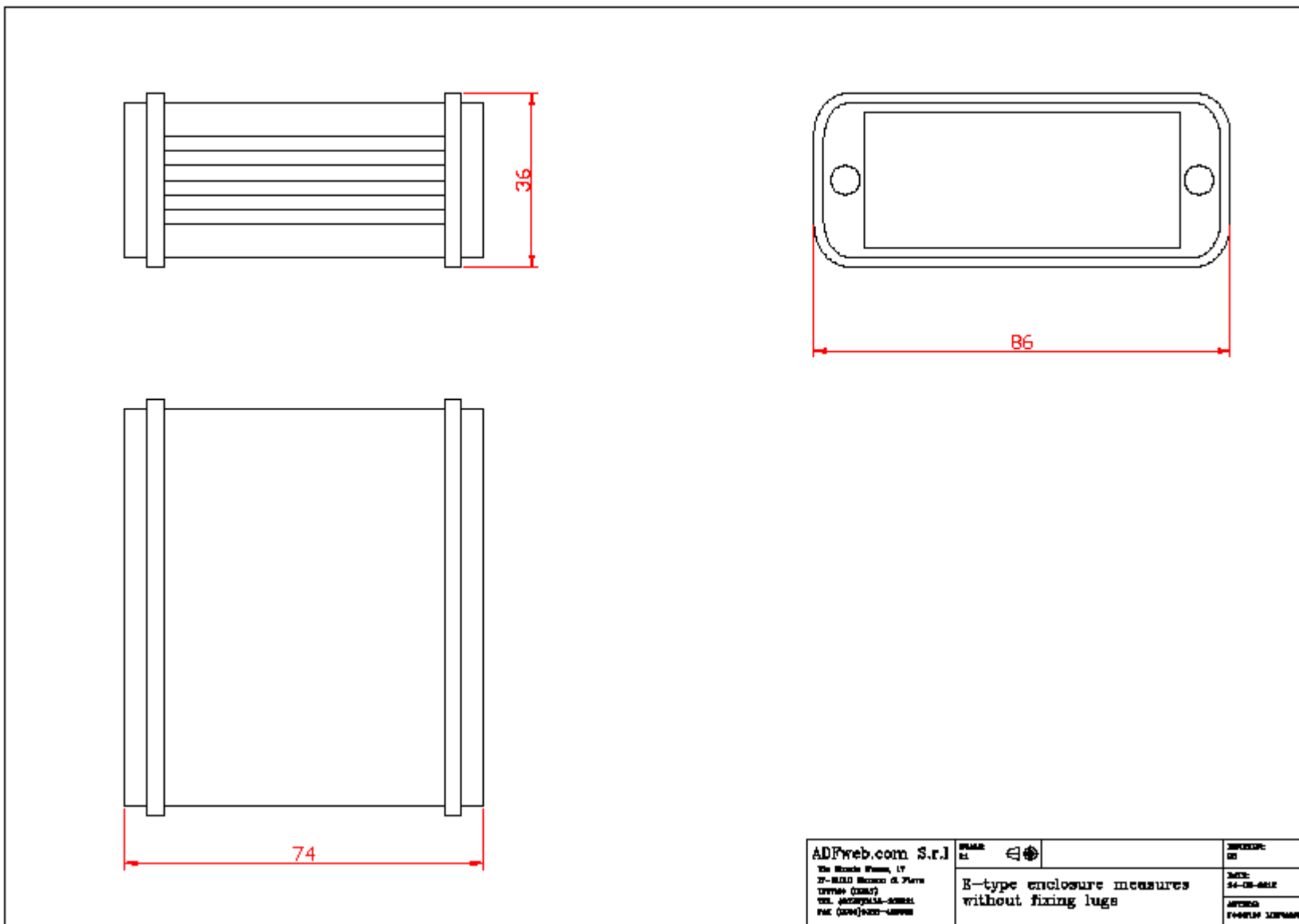
Example:

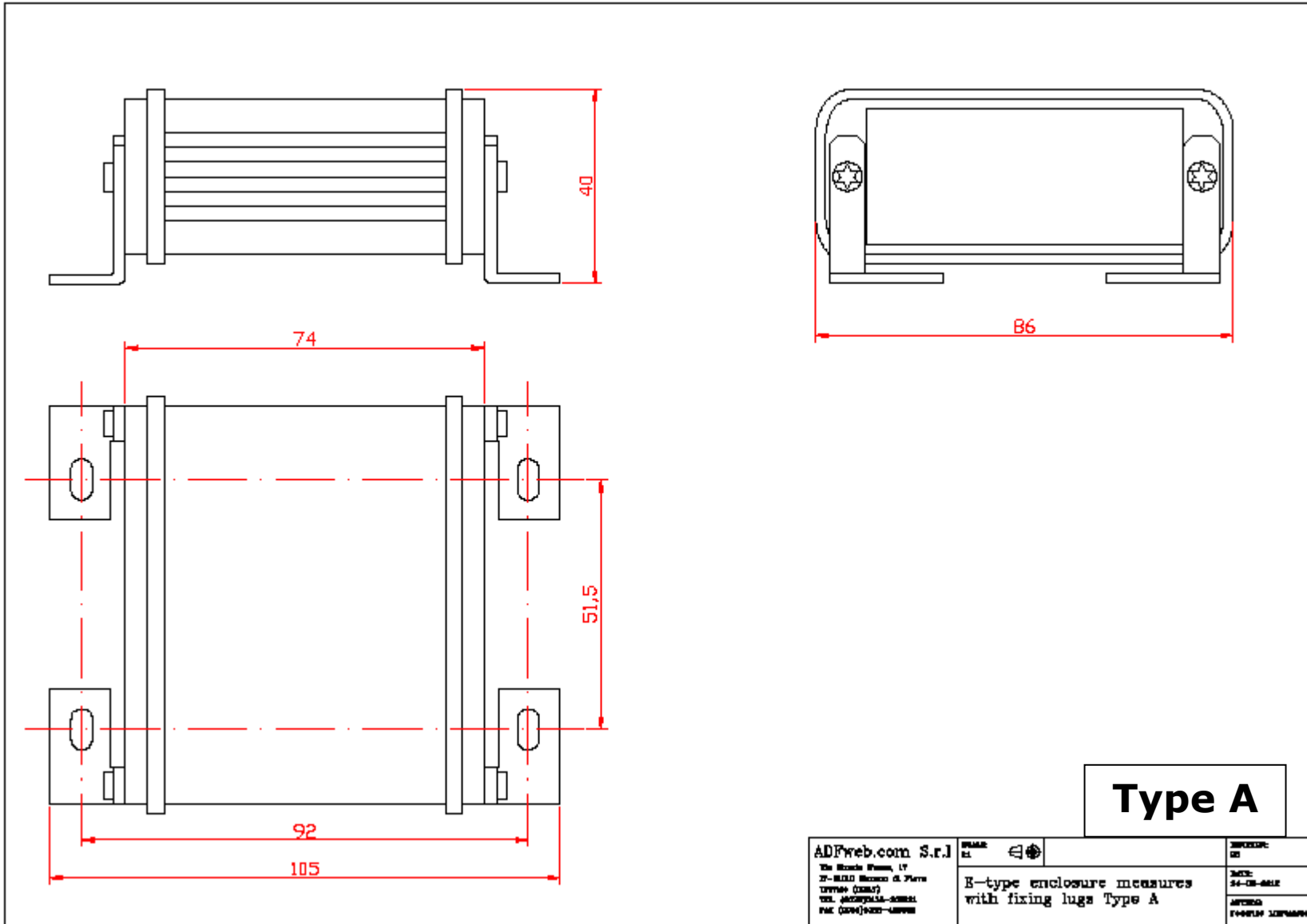
We want to read ten frames from Starting Address 1. So the string of hexadecimal numbers is:

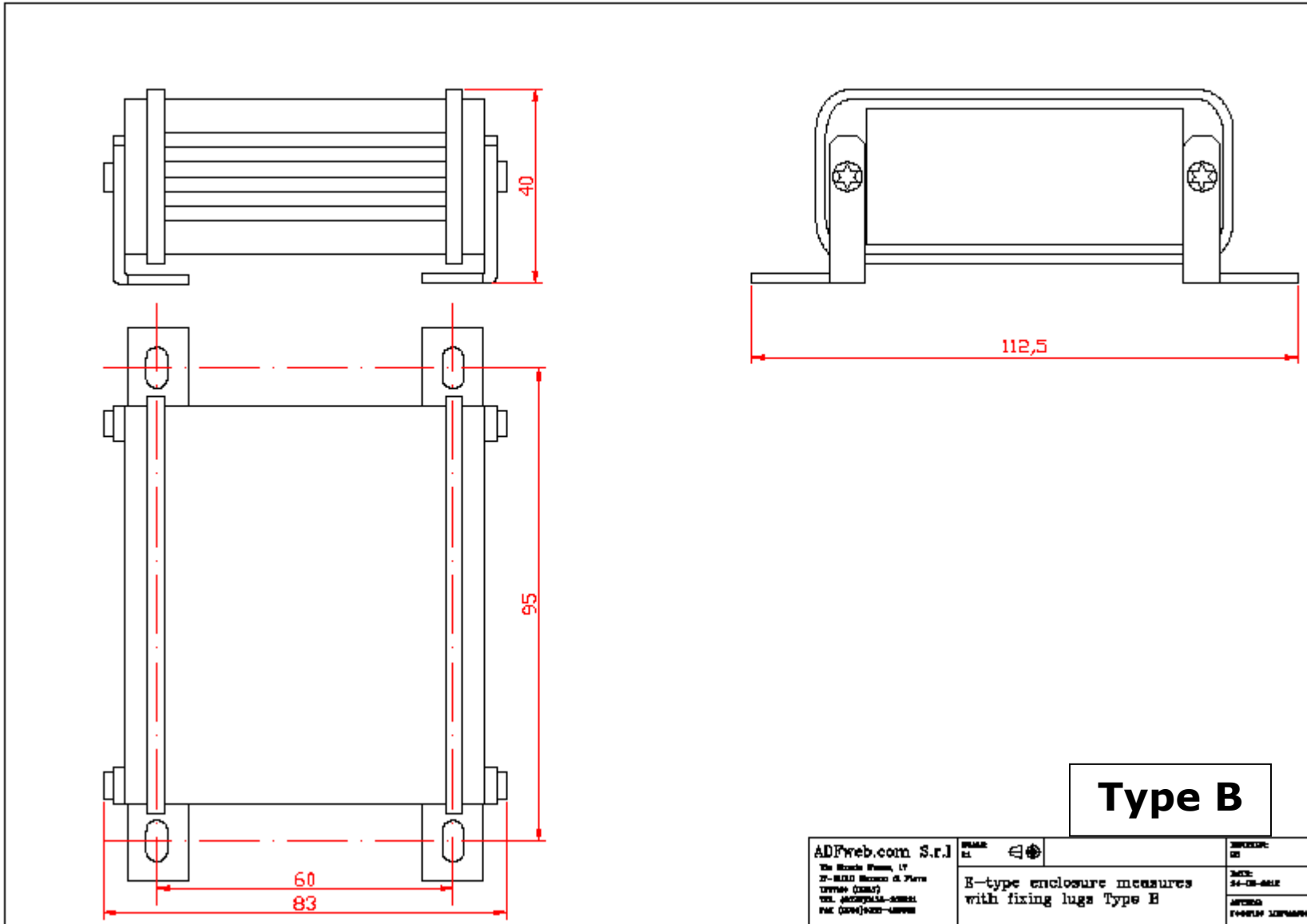
REQ:[01][00][00][00][10]

RES:[00][01][01][02][03][04][05][06][07][08][09][0A][0B][0C][0D][0E][0F][10]

MECHANICAL DIMENSIONS:

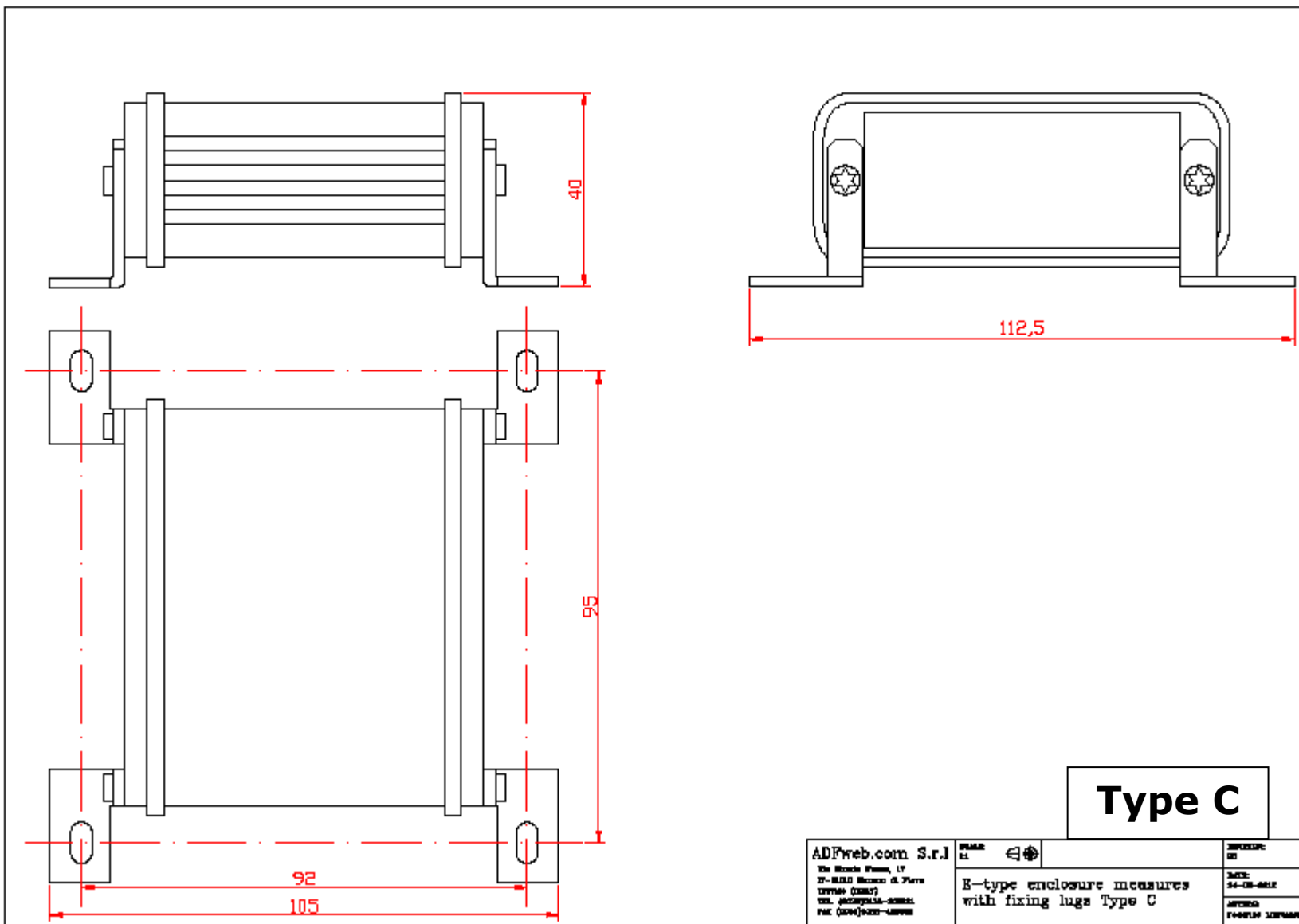






Type B

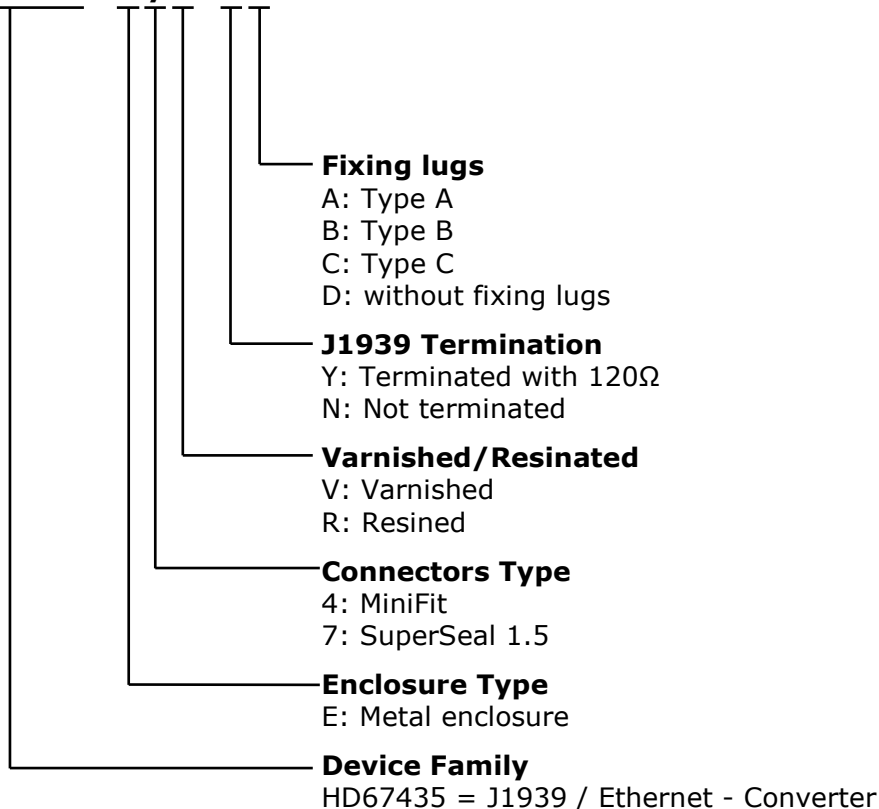
| | | | |
|--|-------------------------|--|--|
| <p>ADFweb.com S.r.l Via Monte Pratom, 17 37-10100 Bussolengo di Pieve TREVISO (TV30017) TEL. (0422)93555-55555 FAX (0422)93555-55555</p> | <p>EMBALLAGE E2</p> | <p>E-type enclosure measures with fixing lugs Type B</p> | <p>REVISIONE 02 SCALE 1:1 AUTORE FABBRICAZIONE</p> |
|--|-------------------------|--|--|



ORDERING INFORMATIONS:

The ordering part number is formed by a valid combination of the following:

HD67435 - E y z - s f



ACCESSORIES:

- Order Code: **AC34001** - Rail DIN - Power Supply 220/240V AC 50/60Hz – 12 V AC
- Order Code: **AC34002** - Rail DIN - Power Supply 110V AC 50/60Hz – 12 V AC
- Order Code: **AC67410** - Accessory Automotive Devices - Support for rail DIN

DISCLAIMER:

All technical content within this document can be modified without notice. The content of the document is a under continual renewal. For losses due to fire, earthquake, third party access or other accidents, or intentional or accidental abuse, misuse, or use under abnormal conditions repairs are charged to the user. ADFweb.com S.r.l. will not be liable for accidental loss of use or inability to use this product, such as loss of business income. ADFweb.com S.r.l. shall not be liable for consequences of improper use.

OTHER REGULATIONS AND STANDARDS:**WEEE INFORMATION**

Disposal of old electrical and electronic equipment (as in the European Union and other European countries with separate collection systems).

— This symbol on the product or on its packaging indicates that this product may not be treated as household rubbish. Instead, it should be taken to an applicable collection point for the recycling of electrical and electronic equipment. If the product is disposed correctly, you will help prevent potential negative environmental factors and impact of human health, which could otherwise be caused by inappropriate disposal. The recycling of materials will help to conserve natural resources. For more information about recycling this product, please contact your local city office, your household waste disposal service or the shop where you purchased the product.

RESTRICTION OF HAZARDOUS SUBSTANCES DIRECTIVE

The device respects the 2002/95/EC Directive on the restriction of the use of certain hazardous substances in electrical and electronic equipment (commonly referred to as Restriction of Hazardous Substances Directive or RoHS).

CE MARKING

The product conforms with the essential requirements of the applicable EC directives.

WARRANTIES AND TECHNICAL SUPPORT:

For fast and easy technical support for your ADFweb.com SRL products, consult our internet support at www.adfweb.com.
Otherwise contact us at the address support@adfweb.com

RETURN POLICY:

If while using your product you have any problem and you wish to exchange or repair it, please do the following:

- Obtain a Product Return Number (PRN) from our internet support at www.adfweb.com. Together with the request, you need to provide detailed information about the problem.
- Send the product to the address provided with the PRN, having prepaid the shipping costs (shipment costs billed to us will not be accepted).

If the product is within the warranty of twelve months, it will be repaired or exchanged and returned within three weeks. If the product is no longer under warranty, you will receive a repair estimate.



ADFweb.com S.r.l.
Via Strada Nuova, 17
IT-31010 Mareno di Piave
TREVISO (Italy)
Phone +39.0438.30.91.31
Fax +39.0438.49.20.99
www.adfweb.com

